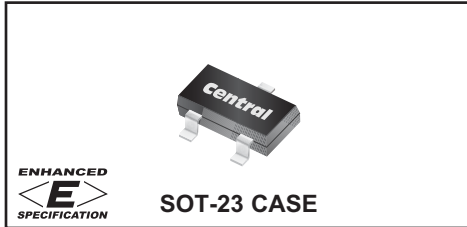


CMPT3904E NPN  
CMPT3906E PNP

**ENHANCED SPECIFICATION  
SURFACE MOUNT COMPLEMENTARY  
SILICON TRANSISTORS**



www.centrasemi.com



**MARKING CODE: CMPT3904E: C1AE  
CMPT3906E: C2AE**

**DESCRIPTION:**

The CENTRAL SEMICONDUCTOR CMPT3904E and CMPT3906E are Enhanced versions of the CMPT3904 and CMPT3906 complementary switching transistors in a SOT-23 surface mount package, designed for small signal switching applications, interface circuit & driver circuit applications.

**ENHANCED SPECIFICATIONS:**

- ◆  $V_{CBO}$  from 40V min to 60V min. (CMPT3906E)
- ◆  $V_{EBO}$  from 5.0V min to 6.0V min. (CMPT3906E)
- ◆  $V_{CE(SAT)}$  from 0.3V max to 0.2V max. (CMPT3904E)  
from 0.4V max to 0.2V max. (CMPT3906E)
- ◆  $h_{FE}$  from 60 min to 70 min. (CMPT3904E) (CMPT3906E)

**MAXIMUM RATINGS:** ( $T_A=25^\circ\text{C}$ )

- ◆ **Collector-Base Voltage**  
Collector-Emitter Voltage
- ◆ **Emitter-Base Voltage**  
Continuous Collector Current  
Power Dissipation  
Operating and Storage Junction Temperature  
Thermal Resistance

**SYMBOL**

SYMBOL	UNITS
$V_{CBO}$	60 V
$V_{CEO}$	40 V
$V_{EBO}$	6.0 V
$I_C$	200 mA
$P_D$	350 mW
$T_J, T_{stg}$	-65 to +150 $^\circ\text{C}$
$\theta_{JA}$	357 $^\circ\text{C/W}$

**ELECTRICAL CHARACTERISTICS:** ( $T_A=25^\circ\text{C}$  unless otherwise noted)

SYMBOL	TEST CONDITIONS	CMPT3904E		CMPT3906E	MAX	UNITS
		MIN	TYP	TYP		
$I_{CEV}$	$V_{CE}=30\text{V}, V_{EB}=3.0\text{V}$				50	nA
◆ $BV_{CBO}$	$I_C=10\mu\text{A}$	60	115	90		V
$BV_{CEO}$	$I_C=1.0\text{mA}$	40	60	55		V
◆ $BV_{EBO}$	$I_E=10\mu\text{A}$	6.0	7.5	7.9		V
◆ $V_{CE(SAT)}$	$I_C=10\text{mA}, I_B=1.0\text{mA}$		0.057	0.050	0.100	V
◆ $V_{CE(SAT)}$	$I_C=50\text{mA}, I_B=5.0\text{mA}$		0.100	0.100	0.200	V
$V_{BE(SAT)}$	$I_C=10\text{mA}, I_B=1.0\text{mA}$	0.65	0.75	0.75	0.85	V
$V_{BE(SAT)}$	$I_C=50\text{mA}, I_B=5.0\text{mA}$		0.85	0.85	0.95	V
◆ $h_{FE}$	$V_{CE}=1.0\text{V}, I_C=0.1\text{mA}$	90	240	130		
◆ $h_{FE}$	$V_{CE}=1.0\text{V}, I_C=1.0\text{mA}$	100	235	150		
$h_{FE}$	$V_{CE}=1.0\text{V}, I_C=10\text{mA}$	100	215	150	300	
◆ $h_{FE}$	$V_{CE}=1.0\text{V}, I_C=50\text{mA}$	70	110	120		
$h_{FE}$	$V_{CE}=1.0\text{V}, I_C=100\text{mA}$	30	50	55		

◆ Enhanced specification

R3 (1-February 2010)

CMPT3904E NPN  
CMPT3906E PNP

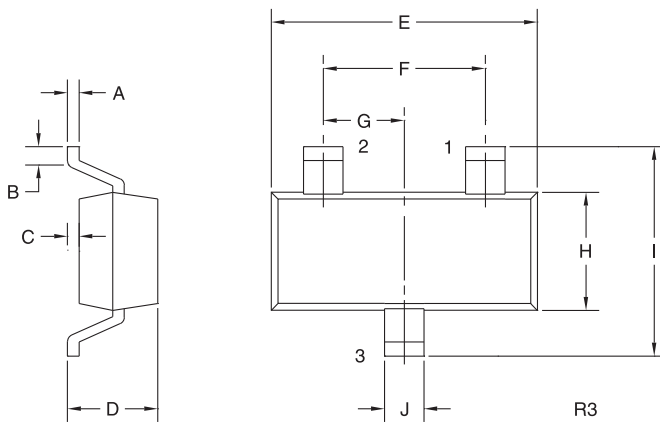


**ENHANCED SPECIFICATION  
SURFACE MOUNT COMPLEMENTARY  
SILICON TRANSISTORS**

**ELECTRICAL CHARACTERISTICS - Continued:** ( $T_A=25^\circ\text{C}$ )

SYMBOL	TEST CONDITIONS	MIN	MAX	UNITS
$f_T$	$V_{CE}=20\text{V}$ , $I_C=10\text{mA}$ , $f=100\text{MHz}$	300		MHz
$C_{ob}$	$V_{CB}=5.0\text{V}$ , $I_E=0$ , $f=1.0\text{MHz}$		4.0	pF
$C_{ib}$	$V_{BE}=0.5\text{V}$ , $I_C=0$ , $f=1.0\text{MHz}$		8.0	pF
$h_{ie}$	$V_{CE}=10\text{V}$ , $I_C=1.0\text{mA}$ , $f=1.0\text{kHz}$	1.0	12	$k\Omega$
$h_{re}$	$V_{CE}=10\text{V}$ , $I_C=1.0\text{mA}$ , $f=1.0\text{kHz}$	0.1	10	$\times 10^{-4}$
$h_{fe}$	$V_{CE}=10\text{V}$ , $I_C=1.0\text{mA}$ , $f=1.0\text{kHz}$	100	400	
$h_{oe}$	$V_{CE}=10\text{V}$ , $I_C=1.0\text{mA}$ , $f=1.0\text{kHz}$	1.0	60	$\mu\text{S}$
NF	$V_{CE}=5.0\text{V}$ , $I_C=100\mu\text{A}$ , $R_S=1.0\text{k}\Omega$ , $f=10\text{Hz}$ to $15.7\text{kHz}$		4.0	dB
$t_d$	$V_{CC}=3.0\text{V}$ , $V_{BE}=0.5\text{V}$ , $I_C=10\text{mA}$ , $I_{B1}=1.0\text{mA}$		35	ns
$t_r$	$V_{CC}=3.0\text{V}$ , $V_{BE}=0.5\text{V}$ , $I_C=10\text{mA}$ , $I_{B1}=1.0\text{mA}$		35	ns
$t_s$	$V_{CC}=3.0\text{V}$ , $I_C=10\text{mA}$ , $I_{B1}=I_{B2}=1.0\text{mA}$		200	ns
$t_f$	$V_{CC}=3.0\text{V}$ , $I_C=10\text{mA}$ , $I_{B1}=I_{B2}=1.0\text{mA}$		50	ns

**SOT-23 CASE - MECHANICAL OUTLINE**



SYMBOL	DIMENSIONS			
	INCHES		MILLIMETERS	
	MIN	MAX	MIN	MAX
A	0.003	0.007	0.08	0.18
B	0.006	-	0.15	-
C	-	0.005	-	0.13
D	0.035	0.043	0.89	1.09
E	0.110	0.120	2.80	3.05
F	0.075		1.90	
G	0.037		0.95	
H	0.047	0.055	1.19	1.40
I	0.083	0.098	2.10	2.49
J	0.014	0.020	0.35	0.50

SOT-23 (REV: R3)

**LEAD CODE:**

- 1) Base
- 2) Emitter
- 3) Collector

**MARKING CODES:**

CMPT3904E: C1AE  
CMPT3906E: C2AE

R3 (1-February 2010)

## X-ON Electronics

Largest Supplier of Electrical and Electronic Components

*Click to view similar products for [Bipolar Transistors - BJT category](#):*

*Click to view products by [Central Semiconductor manufacturer](#):*

Other Similar products are found below :

[619691C](#) [MCH4017-TL-H](#) [BC546/116](#) [BC557/116](#) [BSW67A](#) [NTE158](#) [NTE187A](#) [NTE195A](#) [NTE2302](#) [NTE2330](#) [NTE63](#) [C4460](#)  
[2SA1419T-TD-H](#) [2SA1721-O\(TE85L,F\)](#) [2SA2126-E](#) [2SB1204S-TL-E](#) [2SD2150T100R](#) [SP000011176](#) [FMMTA92QTA](#) [2N2369ADCSM](#)  
[2N5769](#) [2SC2412KT146S](#) [2SC5490A-TL-H](#) [2SD1816S-TL-E](#) [2SD1816T-TL-E](#) [CMXT2207 TR](#) [CPH6501-TL-E](#) [MCH4021-TL-E](#)  
[US6T6TR](#) [NJL0281DG](#) [732314D](#) [CMXT3906 TR](#) [CPH3121-TL-E](#) [CPH6021-TL-H](#) [873787E](#) [IMZ2AT108](#) [UMX21NTR](#) [MCH6102-TL-E](#)  
[NJL0302DG](#) [2N3583](#) [2SA1434-TB-E](#) [2SC3143-4-TB-E](#) [2SD1621S-TD-E](#) [NTE103](#) [30A02MH-TL-E](#) [NSV40301MZ4T1G](#) [NTE101](#) [NTE13](#)  
[NTE15](#) [NTE16001](#)