

CMPT6428
CMPT6429

**SURFACE MOUNT
NPN SILICON TRANSISTOR**



SOT-23 CASE



www.centrasemi.com

DESCRIPTION:

The CENTRAL SEMICONDUCTOR CMPT6428 and CMPT6429 are NPN Silicon Transistors manufactured by the epitaxial planar process, epoxy molded in a surface mount package, designed for high gain amplifier applications.

**MARKING CODES: CMPT6428: C1K
CMPT6429: C1L**

MAXIMUM RATINGS: (T_A=25°C)

Collector-Base Voltage
Collector-Emitter Voltage
Emitter-Base Voltage
Continuous Collector Current
Power Dissipation
Operating and Storage Junction Temperature
Thermal Resistance

SYMBOL	CMPT6428	CMPT6429	UNITS
V _{CB0}	60	55	V
V _{CEO}	50	45	V
V _{EBO}		6.0	V
I _C		200	mA
P _D		350	mW
T _J , T _{stg}		-65 to +150	°C
θ _{JA}		357	°C/W

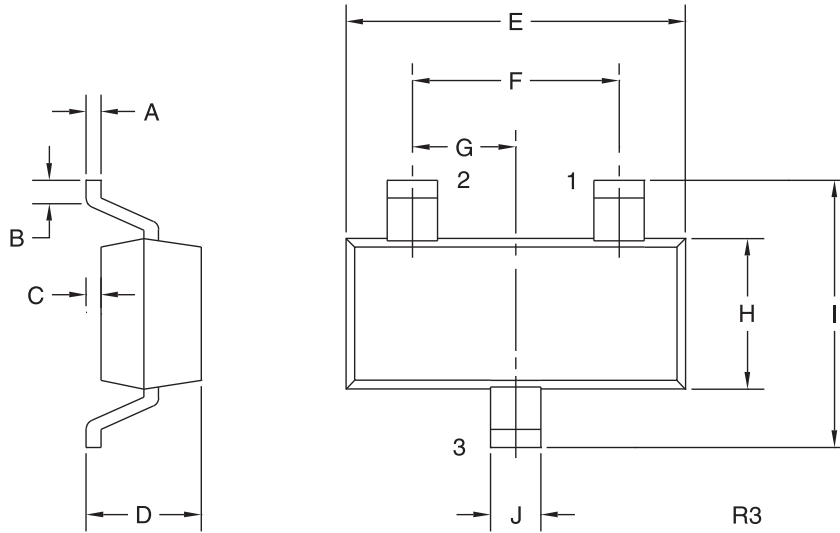
ELECTRICAL CHARACTERISTICS: (T_A=25°C unless otherwise noted)

SYMBOL	TEST CONDITIONS	CMPT6428		CMPT6429		UNITS
		MIN	MAX	MIN	MAX	
I _{CB0}	V _{CB} =30V	-	10	-	10	nA
I _{CEO}	V _{CE} =30V	-	100	-	100	nA
I _{EBO}	V _{BE} =5.0V	-	10	-	10	nA
BV _{CB0}	I _C =100μA	60	-	55	-	V
BV _{CEO}	I _C =1.0mA	50	-	45	-	V
V _{CE(SAT)}	I _C =10mA, I _B =0.5mA	-	0.20	-	0.20	V
V _{CE(SAT)}	I _C =100mA, I _B =5.0mA	-	0.60	-	0.60	V
V _{BE(ON)}	V _{CE} =5.0V, I _C =1.0mA	0.56	0.66	0.56	0.66	V
h _{FE}	V _{CE} =5.0V, I _C =10μA	250	-	500	-	
h _{FE}	V _{CE} =5.0V, I _C =100μA	250	650	500	1250	
h _{FE}	V _{CE} =5.0V, I _C =1.0mA	250	-	500	-	
h _{FE}	V _{CE} =5.0V, I _C =10mA	250	-	500	-	
f _T	V _{CE} =5.0V, I _C =1.0mA, f=100MHz	100	700	100	700	MHz
C _{ob}	V _{CB} =10V, I _E =0, f=1.0MHz	-	3.0	-	3.0	pF
C _{ib}	V _{BE} =0.5V, I _C =0, f=1.0MHz	-	8.0	-	8.0	pF

CMPT6428
 CMPT6429
 SURFACE MOUNT
 NPN SILICON TRANSISTOR



SOT-23 CASE - MECHANICAL OUTLINE



LEAD CODE:

- 1) Base
- 2) Emitter
- 3) Collector

MARKING CODES:

CMPT6428: C1K
 CMPT6429: C1L

DIMENSIONS				
SYMBOL	INCHES		MILLIMETERS	
	MIN	MAX	MIN	MAX
A	0.003	0.007	0.08	0.18
B	0.006	-	0.15	-
C	-	0.005	-	0.13
D	0.035	0.043	0.89	1.09
E	0.110	0.120	2.80	3.05
F	0.075		1.90	
G	0.037		0.95	
H	0.047	0.055	1.19	1.40
I	0.083	0.098	2.10	2.49
J	0.014	0.020	0.35	0.50

SOT-23 (REV: R3)

R5 (1-February 2010)

X-ON Electronics

Largest Supplier of Electrical and Electronic Components

Click to view similar products for [Bipolar Transistors - BJT category](#):

Click to view products by [Central Semiconductor manufacturer](#):

Other Similar products are found below :

[619691C](#) [MCH4017-TL-H](#) [BC546/116](#) [BC557/116](#) [BSW67A](#) [NTE158](#) [NTE187A](#) [NTE195A](#) [NTE2302](#) [NTE2330](#) [NTE63](#) [C4460](#)
[2SA1419T-TD-H](#) [2SA1721-O\(TE85L,F\)](#) [2SA2126-E](#) [2SB1204S-TL-E](#) [2SD2150T100R](#) [SP000011176](#) [FMMTA92QTA](#) [2N2369ADCSM](#)
[2N5769](#) [2SC2412KT146S](#) [2SC5490A-TL-H](#) [2SD1816S-TL-E](#) [2SD1816T-TL-E](#) [CMXT2207 TR](#) [CPH6501-TL-E](#) [MCH4021-TL-E](#)
[US6T6TR](#) [NJL0281DG](#) [732314D](#) [CMXT3906 TR](#) [CPH3121-TL-E](#) [CPH6021-TL-H](#) [873787E](#) [IMZ2AT108](#) [UMX21NTR](#) [MCH6102-TL-E](#)
[NJL0302DG](#) [2N3583](#) [2SA1434-TB-E](#) [2SC3143-4-TB-E](#) [2SD1621S-TD-E](#) [NTE103](#) [30A02MH-TL-E](#) [NSV40301MZ4T1G](#) [NTE101](#) [NTE13](#)
[NTE15](#) [NTE16001](#)