

CMSH1-40HE CMSH1-100HE  
 CMSH1-60HE CMSH1-150HE  
 CMSH1-80HE CMSH1-200HE

**SURFACE MOUNT  
 SILICON SCHOTTKY RECTIFIER  
 1 AMP, 40 THRU 200 VOLTS**



www.centrasemi.com

**DESCRIPTION:**

The CENTRAL SEMICONDUCTOR CMSH1-40HE Series 1.0 Amp Surface Mount Silicon Schottky Rectifier is a high quality, high efficiency component designed for use in all types of commercial, industrial, entertainment, computer, and automotive applications.

**MARKING CODE: SEE MARKING CODE TABLE ON FOLLOWING PAGE**



**SMA CASE**

**FEATURES:**

- High reliability
- High efficiency Schottky rectifier
- 40V to 200V range
- Low leakage current
- Low  $V_F$
- "C" bend construction provides strain relief when mounted on pc board

**MAXIMUM RATINGS:** ( $T_A=25^\circ\text{C}$  unless otherwise noted)

	SYMBOL	CMSH1						UNITS
		-40HE	-60HE	-80HE	-100HE	-150HE	-200HE	
Peak Repetitive Reverse Voltage	$V_{RRM}$	40	60	80	100	150	200	V
DC Blocking Voltage	$V_R$	40	60	80	100	150	200	V
RMS Reverse Voltage	$V_{R(RMS)}$	28	42	56	70	105	140	V
Average Forward Current	$I_O$	1.0						A
Peak Forward Surge Current, $t_p=8.3\text{ms}$	$I_{FSM}$	30						A
Operating and Storage Junction Temperature	$T_J, T_{stg}$	-65 to +150						$^\circ\text{C}$
Thermal Resistance	$\theta_{JL}$	30						$^\circ\text{C/W}$

**ELECTRICAL CHARACTERISTICS:** ( $T_A=25^\circ\text{C}$  unless otherwise noted)

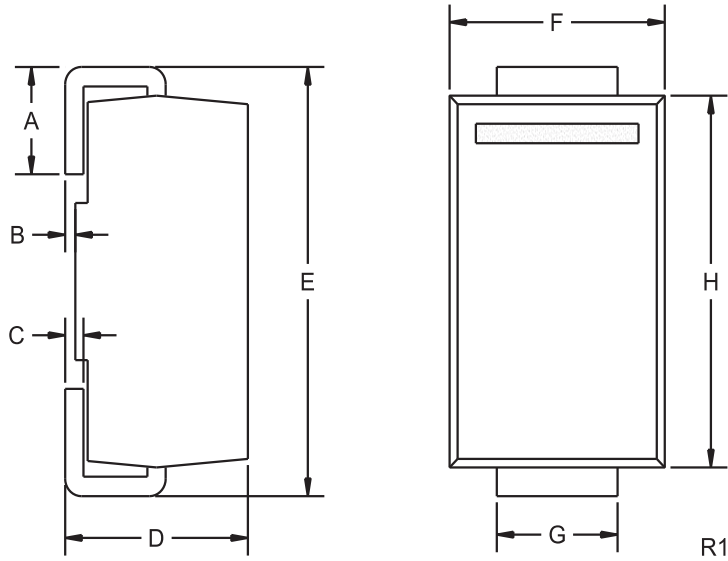
SYMBOL	TEST CONDITIONS	MAX	UNITS
$I_R$	$V_R=\text{Rated } V_{RRM}$	50	$\mu\text{A}$
$I_R$	$V_R=\text{Rated } V_{RRM}, T_A=100^\circ\text{C}$	20	mA
$V_F$	$I_F=1.0\text{A (CMSH1-40HE)}$	0.70	V
$V_F$	$I_F=1.0\text{A (CMSH1-60HE)}$	0.74	V
$V_F$	$I_F=1.0\text{A (CMSH1-80HE, -100HE)}$	0.80	V
$V_F$	$I_F=1.0\text{A (CMSH1-150HE, -200HE)}$	0.90	V

CMSH1-40HE CMSH1-100HE  
 CMSH1-60HE CMSH1-150HE  
 CMSH1-80HE CMSH1-200HE



**SURFACE MOUNT  
 SILICON SCHOTTKY RECTIFIER  
 1 AMP, 40 THRU 200 VOLTS**

**SMA CASE - MECHANICAL OUTLINE**



DEVICE	MARKING CODE
CMSH1-40HE	CS40HE
CMSH1-60HE	CS60HE
CMSH1-80HE	CS80HE
CMSH1-100HE	CS100HE
CMSH1-150HE	CS150HE
CMSH1-200HE	CS200HE

SYMBOL	DIMENSIONS			
	INCHES		MILLIMETERS	
	MIN	MAX	MIN	MAX
A	0.030	0.060	0.76	1.52
B	0.004	0.008	0.10	0.20
C	0.006	0.012	0.15	0.30
D	0.078	0.103	1.98	2.62
E	0.188	0.220	4.78	5.59
F	0.090	0.115	2.29	2.92
G	0.050	0.070	1.27	1.78
H	0.157	0.181	3.99	4.60

SMA (REV: R1)

R1 (10-June 2011)

## X-ON Electronics

Largest Supplier of Electrical and Electronic Components

*Click to view similar products for [Schottky Diodes & Rectifiers](#) category:*

*Click to view products by [Central Semiconductor](#) manufacturer:*

Other Similar products are found below :

[MA4E2039](#) [D1FH3-5063](#) [MBR10100CT-BP](#) [MBR1545CT](#) [MMBD301M3T5G](#) [RB160M-50TR](#) [RB551V-30](#) [BAS16E6433HTMA1](#) [BAT](#)  
[54-02LRH E6327](#) [NSR05F40QNXT5G](#) [NTE555](#) [JANS1N6640](#) [SB07-03C-TB-H](#) [SB1003M3-TL-W](#) [SK310-T](#) [SK32A-LTP](#) [SK33A-TP](#)  
[SK34B-TP](#) [SS3003CH-TL-E](#) [GA01SHT18](#) [CRS10I30A\(TE85L,QM](#) [MA4E2501L-1290](#) [MBRA140TRPBF](#) [MBRB30H30CT-1G](#) [SB007-](#)  
[03C-TB-E](#) [SK32A-TP](#) [SK33B-TP](#) [SK35A-TP](#) [SK38B-TP](#) [NRVBM120LT1G](#) [NTE505](#) [NTSB30U100CT-1G](#) [SS15E-TP](#) [VS-](#)  
[6CWQ10FNHM3](#) [ACDBA1100LR-HF](#) [ACDBA1200-HF](#) [ACDBA140-HF](#) [ACDBA2100-HF](#) [ACDBA3100-HF](#) [CDBQC0530L-HF](#)  
[CDBQC0240LR-HF](#) [ACDBA340-HF](#) [ACDBA260LR-HF](#) [ACDBA1100-HF](#) [SK310B-TP](#) [MA4E2502L-1246](#) [MA4E2502H-1246](#)  
[NRVBM120ET1G](#) [NSR01L30MXT5G](#) [NTE573](#)