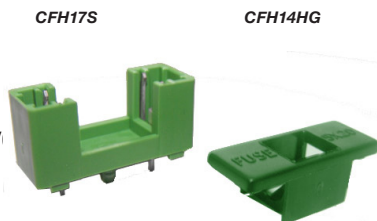


FUSES & FUSEHOLDERS

5x20mm Semi-enclosed PCB Mounting 15mm Pitch Fuseholders

- PCB mounting
- Fuse retaining insulation cover
- Enclosed contacts
- 15mm pitch
- Moulded in Green UL94-V0 retardant PA
- IEC 127-6
- approved

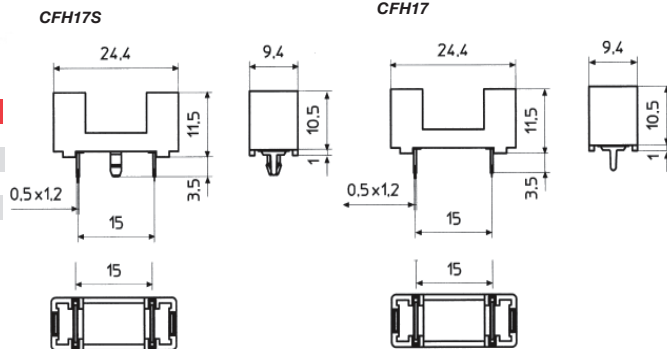


SPECIFICATION

Rating	6.3A/ 250V
Contacts/Resistance	Tinned, nickel plated Brass, <math><5m\Omega</math>
Moulding	UL94-V0 flame retardant PA
Dielectric strength	3kV / 60"
Power dissipation	1.6W
Recommended PCB hole size	1.5mm
Insulation Resistance	100M Ω

TYPE NO.

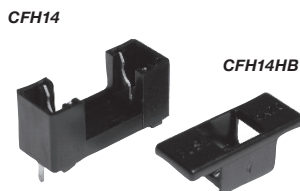
CFH17S	with spigot
CFH17	no spigot
CFH14HB	Cover (Black)
CFH14HG	Cover (Green)



Recommended spigot hole 2.6mm

5x20mm Semi-enclosed PCB Mounting 22.6mm Pitch Fuseholders

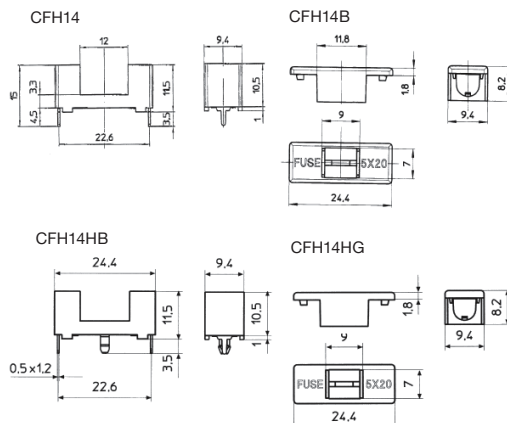
- PCB mounting
- Fuse retaining insulation cover
- Enclosed contacts
- 22.6mm pitch
- Moulded in UL94-V0 retardant PA
- IEC 127-6
- approved



TYPE NO.

CFH14	no spigot
CFH14B	with spigot
CFH14HB	cover (Black)
CFH14HG	cover (Green)

Rating	6.3A/ 250V
Contacts/Resistance	Tinned, nickel plated Brass, <math><5m\Omega</math>
Moulding	Black UL94-V0 flame retardant PA CFH14 Green UL94-V0 flame retardant PA CFH14S
Dielectric strength	3kV / 60"
Power dissipation	1.6W
Recommended PCB hole size	100M Ω
Insulation Resistance	



Recommended spigot hole 2.6mm