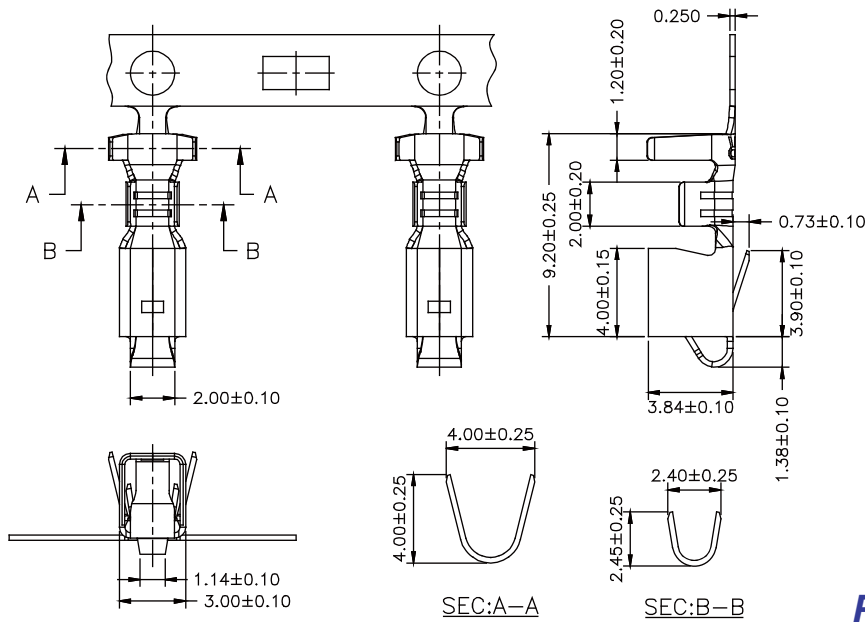


3.96mm Terminal / Housing



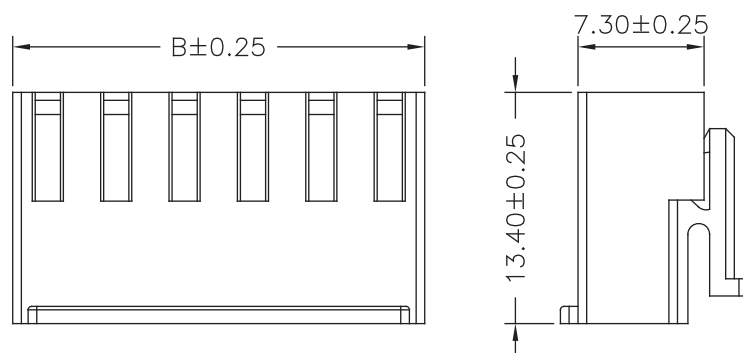
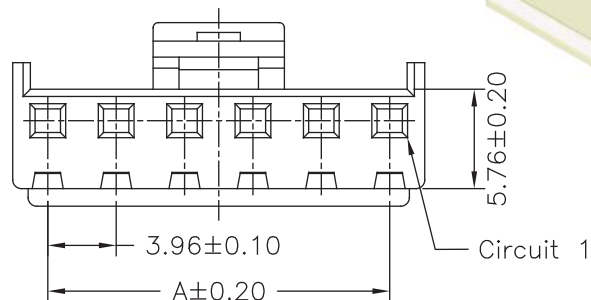
Part No.:3962T

Part No.	Wire Range	Insulation O.D.	Material	Finish
3962-TTB-L	AWG#18-#22	3.00mm(max)	Brass	Tin Plated
3962-TTP-L	AWG#18-#22	3.00mm(max)	Phosphor Bronze	Tin Plated
3962-TGP-L	AWG#18-#22	3.00mm(max)	Phosphor Bronze	Gold Plated

Specifications

Current Rating: 7A AC,DC
 Voltage Rating: 250V AC,DC
 Temperature Range: -25°C to +85°C
 Contact Resistance: 10mΩ Max
 Insulation Resistance: 1000MΩ Min
 Withstanding Voltage: 1500V AC/minute
 Material: Nylon 66,UL94V-0

Part No.	Dimensions	
	A	B
3962H-02W-L	3.96	8.02
3962H-03W-L	7.92	11.98
3962H-04W-L	11.88	15.94
3962H-05W-L	15.84	19.90
3962H-06W-L	19.80	23.86
3962H-07W-L	23.76	27.82
3962H-08W-L	27.72	31.78
3962H-09W-L	31.68	35.74
3962H-10W-L	35.64	39.70
3962H-11W-L	39.60	43.66
3962H-12W-L	43.56	47.62
3962H-13W-L	47.52	51.58
3962H-14W-L	51.48	55.54
3962H-15W-L	55.44	59.50

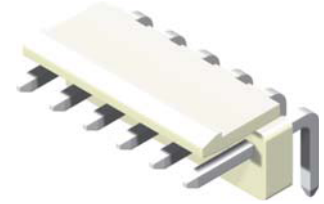


Part No.:3962H-XXW

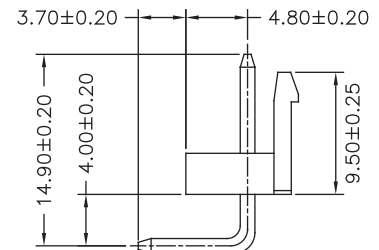
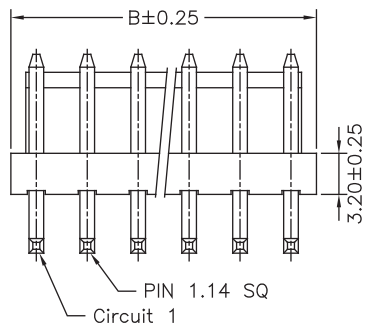
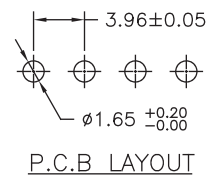
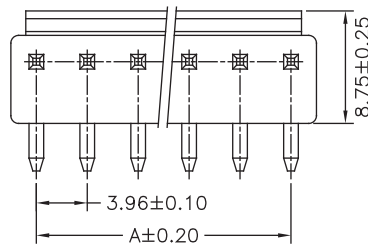
3.96mm Wafer Right Angle / Straight Type

Specifications

Current Rating: 7A AC,DC
 Voltage Rating: 250V AC,DC
 Temperature Range: -25°C to +85°C
 Contact Resistance: 10mΩ Max
 Insulation Resistance: 1000MΩ Min
 Withstanding Voltage: 1500V AC/minute
 Terminal: Brass / Tin Plated
 Material: Nylon 66,UL94V-0



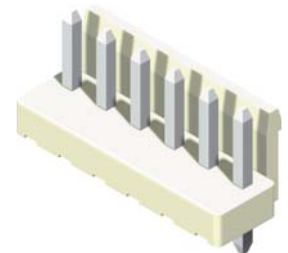
Part No.	Dimensions	
	A	B
3962R-02TW-L	3.96	7.92
3962R-03TW-L	7.92	11.88
3962R-04TW-L	11.88	15.84
3962R-05TW-L	15.84	19.80
3962R-06TW-L	19.80	23.76
3962R-07TW-L	23.76	27.72
3962R-08TW-L	27.72	31.68
3962R-09TW-L	31.68	35.64
3962R-10TW-L	35.64	39.60
3962R-11TW-L	39.60	43.56
3962R-12TW-L	43.56	47.52
3962R-13TW-L	47.52	51.48
3962R-14TW-L	51.48	55.44
3962R-15TW-L	55.44	59.40



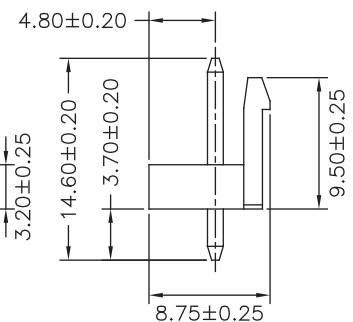
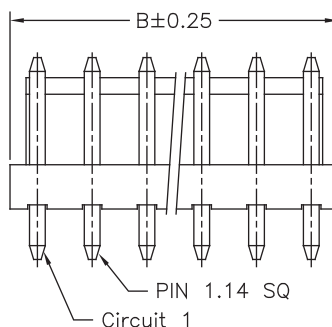
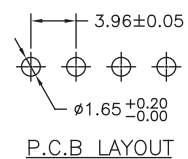
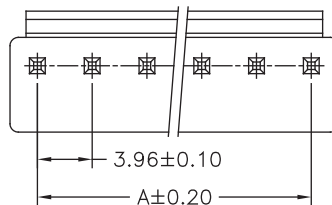
Part No.:3962R-XXTW

Specifications

Current Rating: 7A AC,DC
 Voltage Rating: 250V AC,DC
 Temperature Range: -25°C to +85°C
 Contact Resistance: 10mΩ Max
 Insulation Resistance: 1000MΩ Min
 Withstanding Voltage: 1500V AC/minute
 Terminal: Brass / Tin Plated
 Material: Nylon 66,UL94V-0



Part No.	Dimensions	
	A	B
3962S-02TWW	3.96	7.92
3962S-03TW-L	7.92	11.88
3962S-04TW-L	11.88	15.84
3962S-05TW-L	15.84	19.80
3962S-06TW-L	19.80	23.76
3962S-07TW-L	23.76	27.72
3962S-08TW-L	27.72	31.68
3962S-09TW-L	31.68	35.64
3962S-10TW-L	35.64	39.60
3962S-11TW-L	39.60	43.56
3962S-12TW-L	43.56	47.52
3962S-13TW-L	47.52	51.48
3962S-14TW-L	51.48	55.44
3962S-15TW-L	55.44	59.40



Part No.:3962S-XXTW