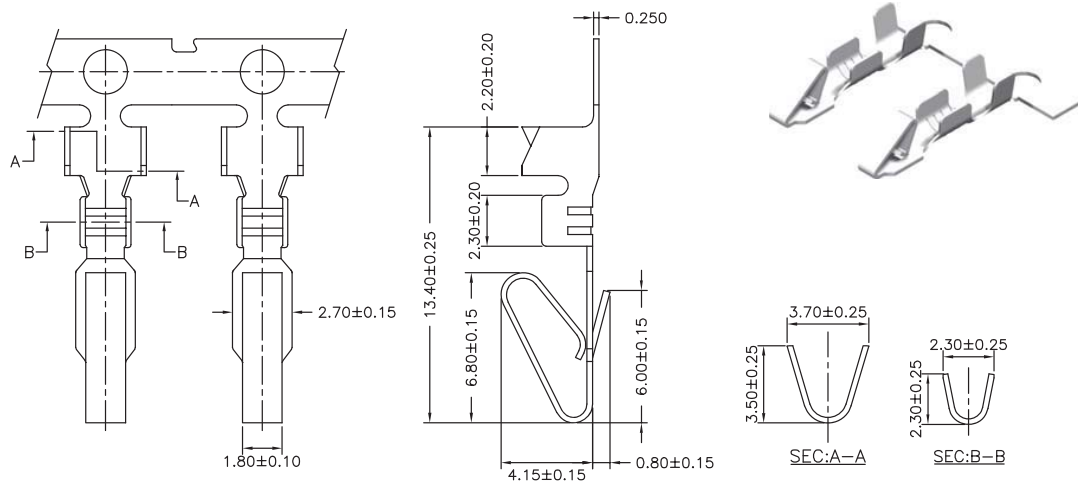


3.96mm Terminal / Housing 396H-xx



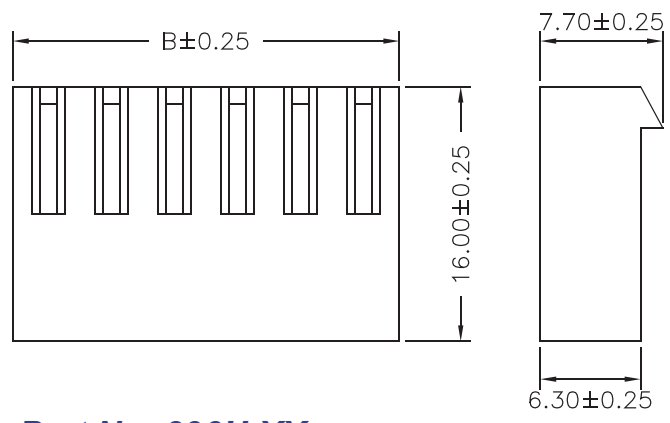
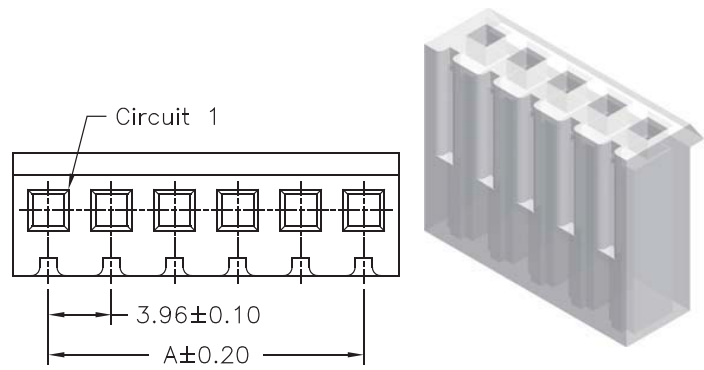
Part No.:396T

Part No.	Wire Range	Insulation O.D.	Material	Finish
396T	AWG#18-#24	2.80mm(max)	Brass	Tin Plated
	AWG#18-#24	2.80mm(max)	Brass	Gold Plated

Specifications

Current Rating: 7A AC,DC
 Voltage Rating: 250V AC,DC
 Temperature Range: -25°C to +85°C
 Contact Resistance: 10mΩ Max
 Insulation Resistance: 1000MΩ Min
 Withstanding Voltage: 1500V AC/minute
 Material: Nylon 66,UL94V-2

Par No.	Dimensions	
	A	B
396H-02W-L	3.96	8.43
396H-03W-L	7.92	12.39
396H-04W-L	11.88	16.35
396H-05W-L	15.84	20.31
369H-06W-L	19.80	24.27
396H-07W-L	23.76	28.23
396H-08W-L	27.72	32.19
396H-09W-L	31.68	36.15
396H-10W-L	35.64	40.11
396H-11W-L	39.60	44.07
396H-12W-L	43.56	48.03
396H-13W-L	47.52	51.99
396H-14W-L	51.48	55.95
396H-15W-L	55.44	59.91
396H-16W-L	59.40	63.87
396H-17W-L	63.36	67.83
396H-18W-L	67.32	71.79
396H-19W-L	71.28	75.75
396H-20W-L	75.24	79.71



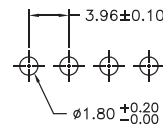
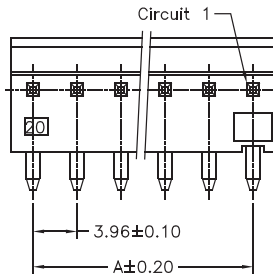
Part No.:396H-XX

3.96mm Wafer Right Angle 396W-L-xx / Straight 396W-S-xx

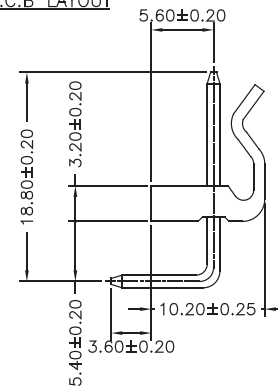
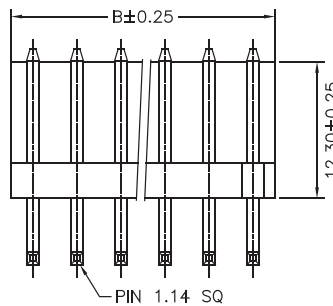
Specifications

Current Rating: 7A AC,DC
 Voltage Rating: 250V AC,DC
 Temperature Range: -25°C to +85°C
 Contact Resistance: 10mΩ Max
 Insulation Resistance: 1000MΩ Min
 Withstanding Voltage: 1500V AC/minute
 Terminal: Brass / Tin Plated
 Material: Nylon 66,UL94V-2

Part No.	Dimensions	
	A	B
396W-L-02T L	3.96	7.92
396W-L-03T L	7.92	11.88
396W-L-04T L	11.88	15.84
396W-L-05T L	15.84	19.80
396W-L-06T L	19.80	23.76
396W-L-07T L	23.76	27.72
396W-L-08T L	27.72	31.68
396W-L-09T L	31.68	35.64
396W-L-10T L	35.64	39.60
396W-L-11T L	39.60	43.56
396W-L-12T L	43.56	47.52
396W-L-13T L	47.52	51.48
396W-L-14T L	51.48	55.44
396W-L-15T L	55.44	59.40
396W-L-16T L	59.40	63.36
396W-L-17T L	63.36	67.32
396W-L-18T L	67.32	71.28
396W-L-19T L	71.28	75.24
396W-L-20T L	75.24	79.20



P.C.B. LAYOUT

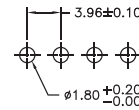
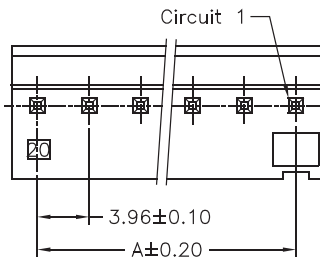


Part No.:396W-L-XX

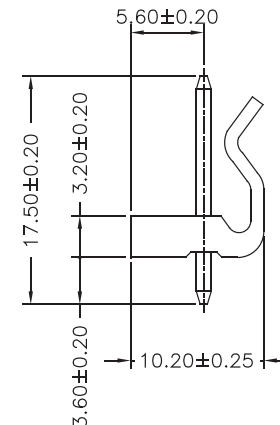
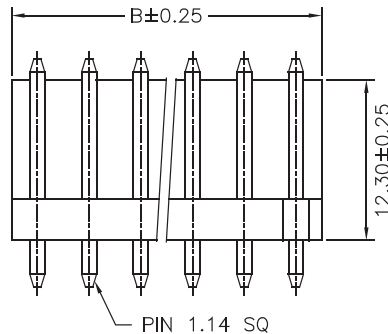
Specifications

Current Rating: 7A AC,DC
 Voltage Rating: 250V AC,DC
 Temperature Range: -25°C to +85°C
 Contact Resistance: 10mΩ Max
 Insulation Resistance: 1000MΩ Min
 Withstanding Voltage: 1500V AC/minute
 Terminal: Brass / Tin Plated
 Material: Nylon 66,UL94V-2

Part No.	Dimensions	
	A	B
3961SA-02TW-L	3.96	7.92
3961SA-03TW-L	7.92	11.88
3961SA-04TW-L	11.88	15.84
3961SA-05TW-L	15.84	19.80
3961SA-06TW-L	19.80	23.76
3961SA-07TW-L	23.76	27.72
3961SA-08TW-L	27.72	31.68
3961SA-09TW-L	31.68	35.64
3961SA-10TW-L	35.64	39.60
3961SA-11TW-L	39.60	43.56
3961SA-12TW-L	43.56	47.52
3961SA-13TW-L	47.52	51.48
3961SA-14TW-L	51.48	55.44
3961SA-15TW-L	55.44	59.40
3961SA-16TW-L	59.40	63.36
3961SA-17TW-L	63.36	67.32
3961SA-18TW-L	67.32	71.28
3961SA-19TW-L	71.28	75.24
3961SA-20TW-L	75.24	79.20



P.C.B. LAYOUT



Part No.:396W-S-XX