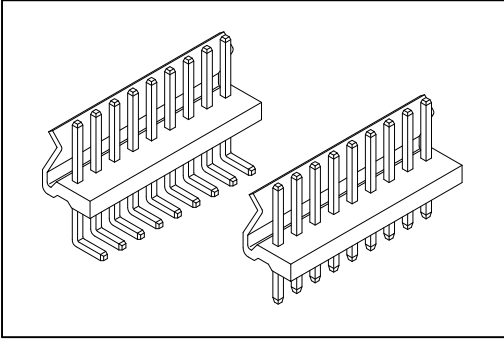


# 4771 Series

## Wafer 3.96mm(0.156")



### Material:

Housing: Thermoplastic Polyester UL94V-2.

Contacts: Copper Alloy.

### Electrical Characteristics:

Current Rating: 7 A.

Dielectric Withstanding Voltage: AC 1000V.

Insulator Resistance: 1000MΩ min.

Contact Resistance: 20mΩ max.

Operating Temperature: -25°C~+85°C.

### Features:

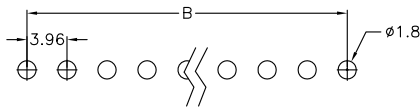
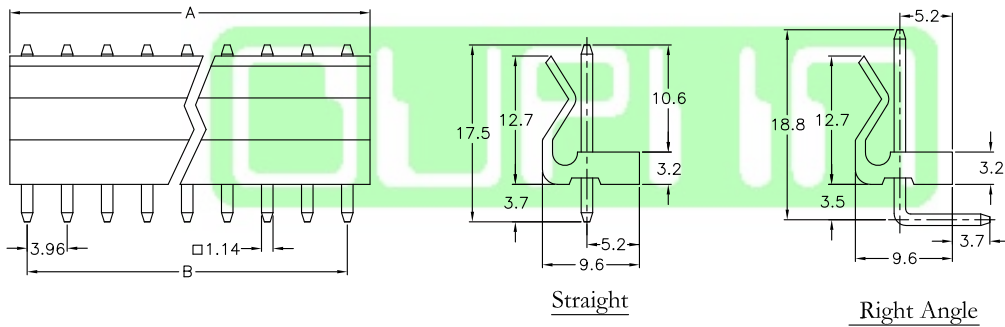
\* Available in Single Row 2 through 16 position.

\* 1.14mm(0.045" ) tin plated posts.

\* Side-to-side and end-to-end stackable.

\* Locking feature optional.

Mates with: 4771 Housing.



P.C. Board Layout

Position Dimension	2 Thru 16
A	3.96 X No. of Positions
B	3.96 X No. of Positions-3.96

## Ordering information

4771-  
Series

16  
No. of Position

T  
T: Tin Plated

S  
S: Straight  
R: Right Angle

B  
B: Bulk Package