

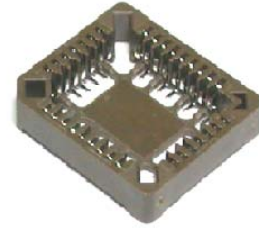
PLCC Socket

MATERIAL

Insulator : PBT or P.P.S.
Contact Pin : Phosphor Bronze

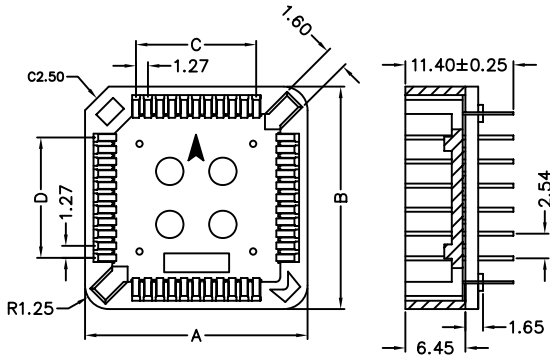
SPECIFICATION

Current Rate : 1 AMP
Insulation Resistance : 1000M Ω Min. at DC 500V
Contact Resistance : 30m Ω Max. at DC 100mA
Operation Temperature : -50°C to +105°C

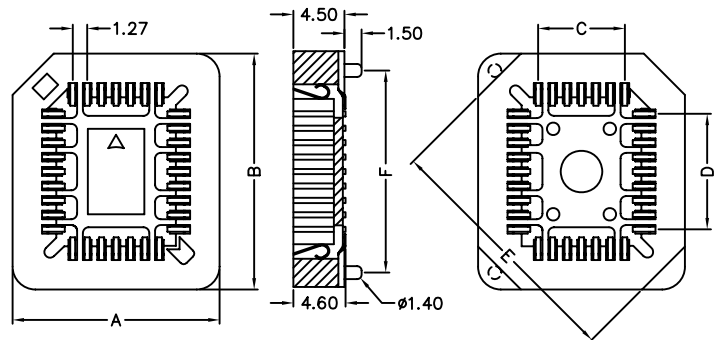


Detail Dimensions

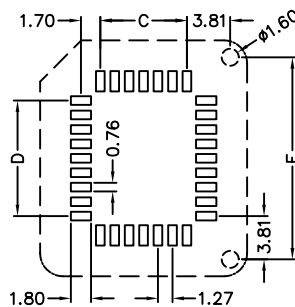
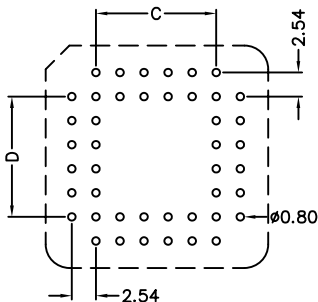
981-11-xxx001



981-22-xx4101



Recommended P.C.B Layout



Order Information

981-x x - xx x x 0 1
1 2 3 4 5 6

- | | |
|-----------------------------------|---------------------------|
| 1: 1: DIP Type | 5: 0: w/o posts |
| 2: SMT Type | 1: with posts (SMT only) |
| 2: 1: Polyform Package (DIP only) | 6: 0: Tin Plating |
| 2: Tube Package | 1: Selective Gold Plating |
| 3: No. of contacts | |
| 4: 3: Black Insulator | |
| 4: 4: Brown Insulator | |

Standard Parts	Type
981-11-xx3001	DIP / Black
981-11-xx4001	DIP / Brown
981-22-xx4001	SMT w/o posts
981-22-xx4101	SMT with posts

Number Of Contacts

Unit: mm

Poles	DIM A	DIM B	DIM C	DIM D				Poles	DIM A	DIM B	DIM C	DIM D	DIM E	DIM F
20	15.50	15.50	5.08	5.08				20	15.66	15.66	5.08	5.08	17.28	12.70
28	18.04	18.04	7.62	7.62				28	18.20	18.20	7.62	7.62	20.87	15.24
32	18.04	20.60	7.62	10.16				32	18.20	20.74	7.62	10.16	22.20	17.78
44	23.48	23.48	12.70	12.70				44	23.28	23.28	12.70	12.70	27.80	20.32
52	25.88	25.88	15.24	15.24				52	25.82	25.82	15.24	15.24	31.65	22.86
68	31.66	31.66	20.32	20.32				68	30.90	30.90	20.32	20.32	38.75	27.94
84	36.66	36.66	25.40	25.40				84	35.98	35.98	25.40	25.40	46.00	33.02