

Modular Plug

■ MATERIAL

Insulator : PC

Contact : Copper Alloy

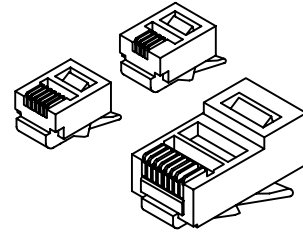
■ SPECIFICATION

Current Rate : 1.5 AMP at 125V AC

Insulation Resistance : 500MΩMin. at DC 500V

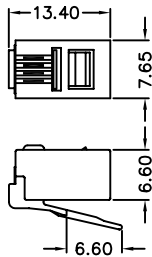
Contact Resistance : 35mΩMax. at DC 100mA

Operation Temperature : -40°C to +120°C

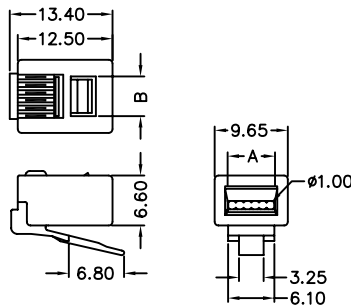


■ Detail Dimensions

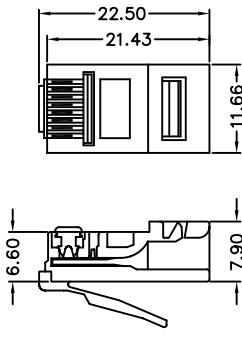
4P4C



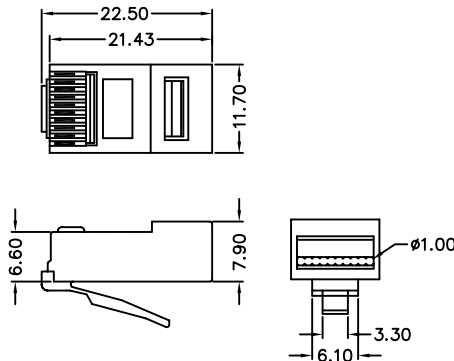
6P6C



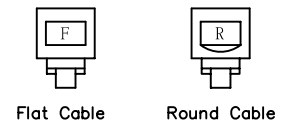
8P8C



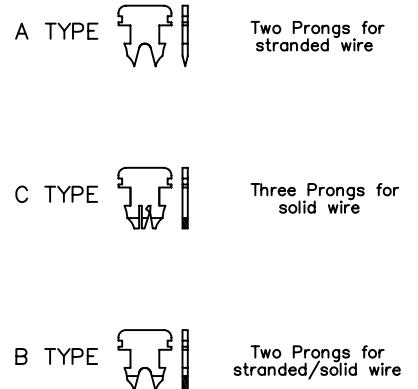
10P10C



Cable Type



Contact Type



■ Order Information

996-B1- xx x x x 1
1 2 3 4 5

- 1: 1: Bulk package
- 2: 01: A Type contact
- 02: C Type contact
- 03: B Type contact
- 3: No. of positions (4,6,8,10)
- 4: No. of contacts (2,4,6,8,10)
- 5: 0: 6u" Gold plating for flat cable
- 1: 6u" Gold plating for round cable

- 2: 3u" Gold plating for flat cable
- 3: 3u" Gold plating for round cable
- 4: 15u" Gold plating for flat cable
- 5: 15u" Gold plating for round cable
- 6: 30u" Gold plating for flat cable
- 7: 30u" Gold plating for round cable

Standard Parts
996-B1-01xx01
996-B1-01xx11
996-B1-02xx01
996-B1-02xx11
996-B1-03xx01
996-B1-03xx11

■ Number Of Contacts

Unit: mm

Poles	DIM A	DIM B												
6P2C	5.20	5.10												
6P4C	5.20	5.10												
6P6C	7.10	6.20												

* There are some other types available, please contact our sales rep. for information, thanks!