

Modular Jack Side Entry

■ MATERIAL

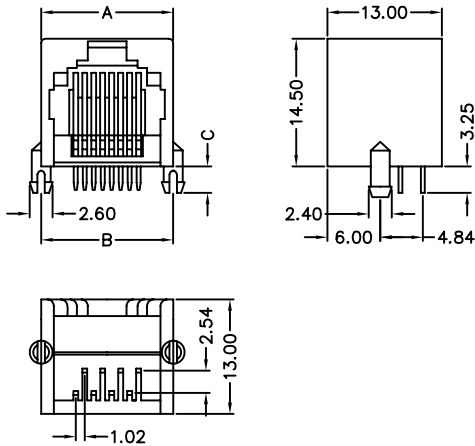
Insulator : Polyester
Contact Pin : Phosphor Bronze

■ SPECIFICATION

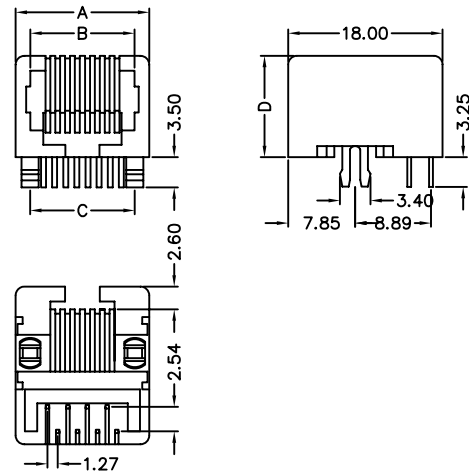
Current Rate : 1.5 AMP
Insulation Resistance : 500M Ω Min. at DC 125V
Contact Resistance : 30m Ω Max.
Operation Temperature : -40°C to +80°C

■ Detail Dimensions

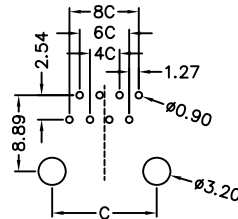
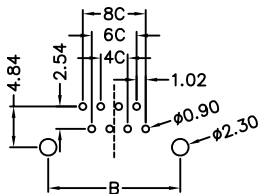
996-A2-B2xx02



996-A2-B4xx02



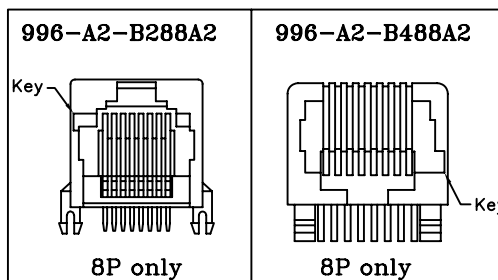
■ Recommended P.C.B Layout



■ Order Information

996-A2- xx x x x 2
1 2 3 4 5

1. 2: Tray package
2. B2: Right layout
B4: Left layout
3. No. of position (4/6/8)
4. No. of contacts (2/4/6/8)
5. 0: Standard
A: with Key



Standard Parts
996-A2-B2xx02
996-A2-B4xx02

■ Number Of Contacts

Unit: mm

Position	Contact	DIM A	DIM B	DIM C	Position	Contact	DIM A	DIM B	DIM C	DIM D
4	4	10.00	10.00	3.20	4	4	11.20	7.90	7.62	11.70
6	2/4/6	12.20	12.00	3.20	6	2/4/6	13.20	9.88	10.16	11.70
8	4/6/8	15.00	15.00	3.00	8	4/6/8	15.20	11.91	11.43	11.50