

DIN & MINI DIN PLUGS

DP, DS, MDP & MDS SERIES

INTRODUCTION:

Adam Tech DP and MDP series male and female DIN and Mini DIN plugs are offered in an assembly version which contains a fitted two-piece snap-together metal shell with a slide over boot which surrounds the center contact pad or a molded version which has a one piece metal shell permanently attached to the contact pad which is used in over-molded cable production. Their simple yet extremely sturdy design make them perfect for most applications.

FEATURES:

DIN and Mini DIN styles
Easy two-piece metal shell assembly
Over-mold or assembly versions

MATING CONNECTORS:

All industry standard circular Mini DIN and DIN jacks.

SPECIFICATIONS:

Material:

Insulator: PBT glass filled, rated UL94V-0
Insulator Color: Black standard, custom colors available
Contacts: Brass
Shield: Copper Alloy, Tin Plated

Contact Plating:

Nickel on mating area, Tin over Copper underplate on solder area.

Electrical:

Operating voltage: 100V AC / 12V DC max.
Current rating: Mini Din: 1 Amp max.
Din: 2 Amps max
Contact resistance: 20 mΩ max. initial
Insulation resistance: 500 MΩ min.
Dielectric withstanding voltage: 500V AC for 1 minute

Mechanical:

Insertion force: 9.9 lbs max.
Withdrawal force: 0.8 lbs min
Mating durability: 5000 cycles min.

Temperature Rating:

Operating temperature: -25°C to +70°C

PACKAGING:

Anti-ESD plastic trays

APPROVALS AND CERTIFICATIONS:

UL Recognized & CSA Certified, File no. E224053



ORDERING INFORMATION

MDP

008

SERIES INDICATOR

DP = Male DIN Plug
DS = Female DIN Plug
MDP = Male Mini DIN Plug
MDS = Female Mini DIN Plug

NO. OF POSITIONS

003 thru 008 (DP/DS)
003 thru 009 (MDP/MDS)



OPTIONS:

Add designator(s) to end of part number

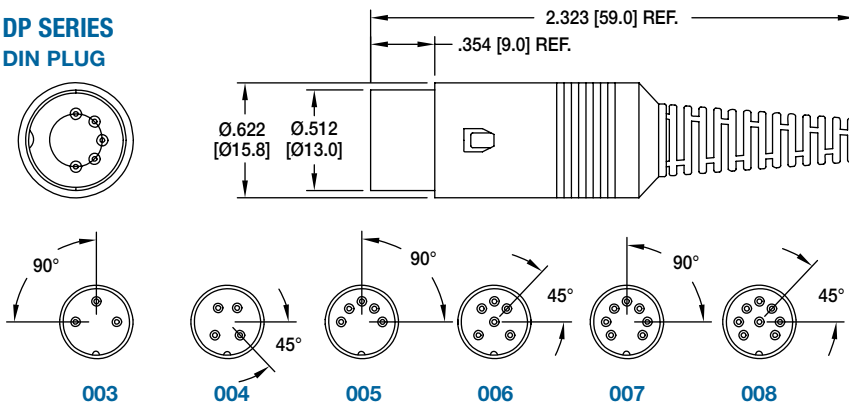
G = Gold plated contacts

M = Single piece barrel and contact pad without plastic shell for molding applications

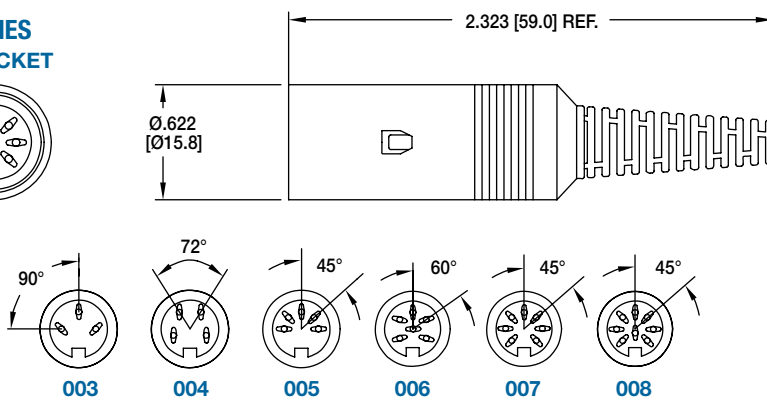
DIN & MINI DIN PLUGS

DP, DS, MDP & MDS SERIES

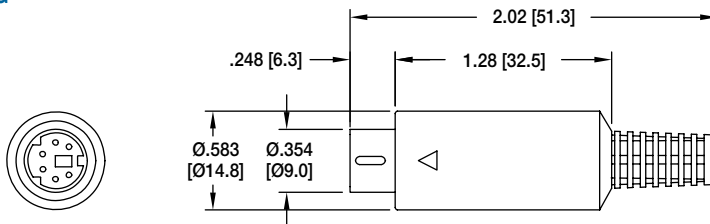
DP SERIES DIN PLUG



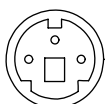
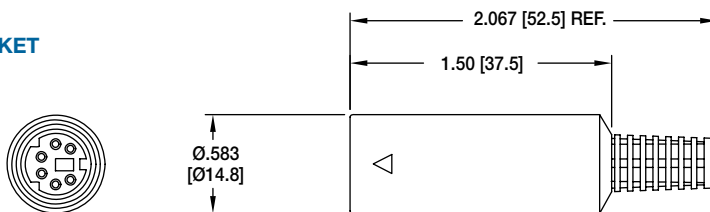
DS SERIES DIN SOCKET



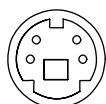
MDP SERIES MINI DIN PLUG



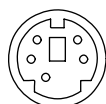
MDS SERIES MINI DIN SOCKET



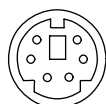
3 Pin



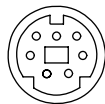
4 pin



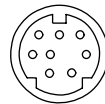
5 pin



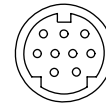
6 pin



7 pin



8 pin



9 pin