



# Terminal Block

## EUROSTYLE P.C.B. TERMINAL BLOCK

TÜV R350002918  
E133988(R)  
LR100420

ETB16 SERIES

WIRE PROTECTOR TYPE

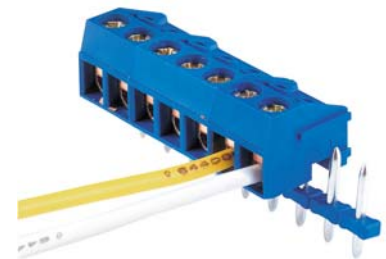
PITCH=5.0/10.0mm

### FEATURES

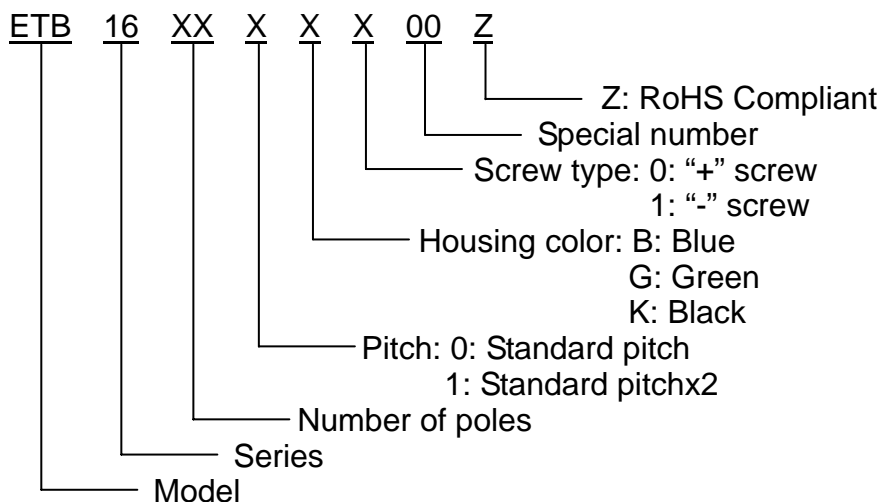
- Easy to assemble for any number of positions
- End stackable without any loss of P.C.B. space
- Special wire protector design to ensure reliable wire clamping
- UL 94V-0 grade fire retardant engineering plastic used for the housing
- Be capable of clamping a wide range of wire diameters
- Compact size for P.C.B.

### SPECIFICATIONS

- Pitch 5.0mm, 10.0mm
- Wire range 24~14 AWG. (1.5mm<sup>2</sup>)
- No. of pole per block 2P or 3P
- Rated 10 Amp, 300 VAC
- Housing PA66
- Screws M2.6x0.45P, Zinc plated over Steel
- Wire cage Nickel plated over Zinc Alloy
- Torque 0.25 N-m (2.18 lb-in)
- Operating temperature 110°C
- Stripping length 6mm
- UL Approval 300V, 10A, 24~14 AWG
- CAS Approval 300V, 10A, 24~14 AWG
- TUV Approval 250V, 12A Max. 0.2 to 1.5mm<sup>2</sup>

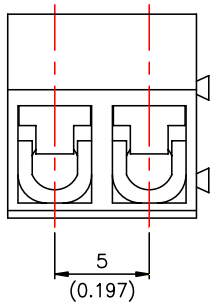
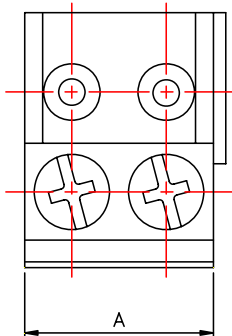


### PART NUMBERING SYSTEM

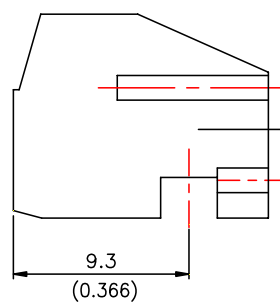
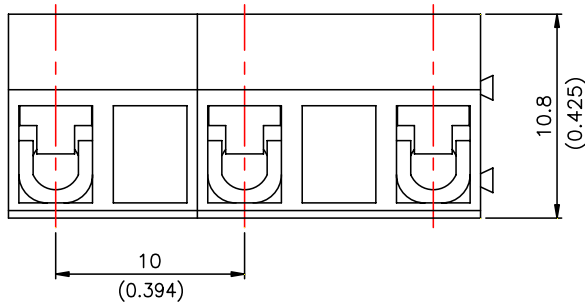
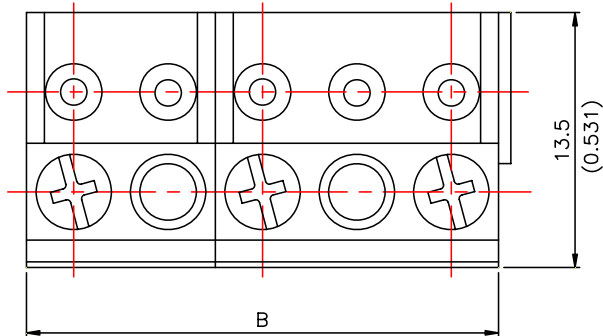


## ■ DRAWING

ETB16\*\*  
Pitch=5.0mm



ETB16\*\*1  
Pitch=10.0mm



mm(inch)

POLE	2	3	4	5	6	7	8	9	10	11	12	13
A	10.0 (0.394)	15.0 (0.591)	20.0 (0.787)	25.0 (0.984)	30.0 (1.181)	35.0 (1.378)	40.0 (1.575)	45.0 (1.772)	50.0 (1.969)	55.0 (2.165)	60.0 (2.362)	65.0 (2.559)
B	15.0 (0.591)	25.0 (0.984)	35.0 (1.378)	45.0 (1.772)	55.0 (2.165)	65.0 (2.559)	75.0 (2.953)	85.0 (3.346)	95.0 (3.740)	105.0 (4.134)	115.0 (4.528)	
POLE	14	15	16	17	18	19	20	21	22	23	24	
A	70.0 (2.756)	75.0 (2.953)	80.0 (3.150)	85.0 (3.346)	90.0 (3.543)	95.0 (3.740)	100.0 (3.937)	105.0 (4.134)	110.0 (4.331)	115.0 (4.528)	120.0 (4.724)	



# Terminal Block

## EUROSTYLE P.C.B. TERMINAL BLOCK

TÜV R350002918  
E133988(R)  
LR100420

ETB16 SERIES

STRIP PIN TYPE

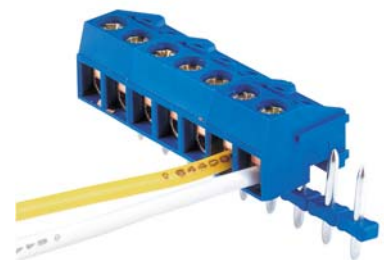
PITCH=5.0/10.0mm

### FEATURES

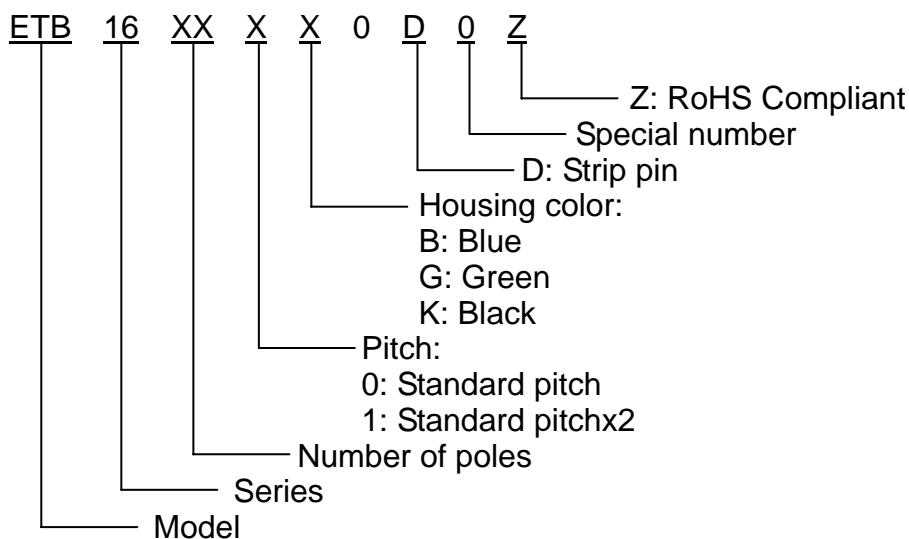
- Easy to assemble for any number of positions
- End stackable without any loss of P.C.B. space
- Special wire protector design to ensure reliable wire clamping
- UL 94V-0 grade fire retardant engineering plastic used for the housing
- Be capable of clamping a wide range of wire diameters
- Compact size for P.C.B.

### SPECIFICATIONS

- Pitch 5.0mm, 10.0mm
- No. of pole per block 2P to 24P
- Rated 10 Amp, 300 VAC
- Housing PA66
- Terminals Tin plated over Brass
- Operating temperature 110°C
- UL Approval 300V, 10A
- CAS Approval 300V, 10A
- TUV Approval 250V, 12A Max.

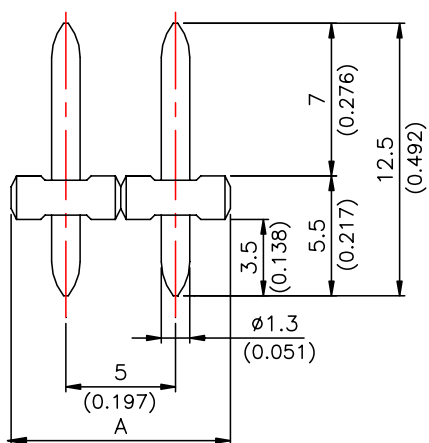


### PART NUMBERING SYSTEM

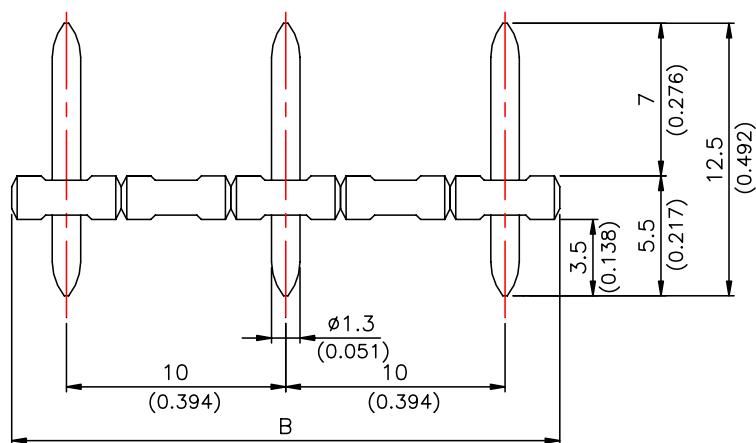


## ■ DRAWING

ETB16\*\*0\*0D0  
Pitch=5.0mm



ETB16\*\*1\*0D0  
Pitch=10.0mm



mm(inch)

POLE	2	3	4	5	6	7	8	9	10	11	12	13
A	10.0 (0.394)	15.0 (0.591)	20.0 (0.787)	25.0 (0.984)	30.0 (1.181)	35.0 (1.378)	40.0 (1.575)	45.0 (1.772)	50.0 (1.969)	55.0 (2.165)	60.0 (2.362)	65.0 (2.559)
B	15.0 (0.591)	25.0 (0.984)	35.0 (1.378)	45.0 (1.772)	55.0 (2.165)	65.0 (2.559)	75.0 (2.953)	85.0 (3.346)	95.0 (3.740)	105.0 (4.134)	115.0 (4.528)	
POLE	14	15	16	17	18	19	20	21	22	23	24	
A	70.0 (2.756)	75.0 (2.953)	80.0 (3.150)	85.0 (3.346)	90.0 (3.543)	95.0 (3.740)	100.0 (3.937)	105.0 (4.134)	110.0 (4.331)	115.0 (4.528)	120.0 (4.724)	