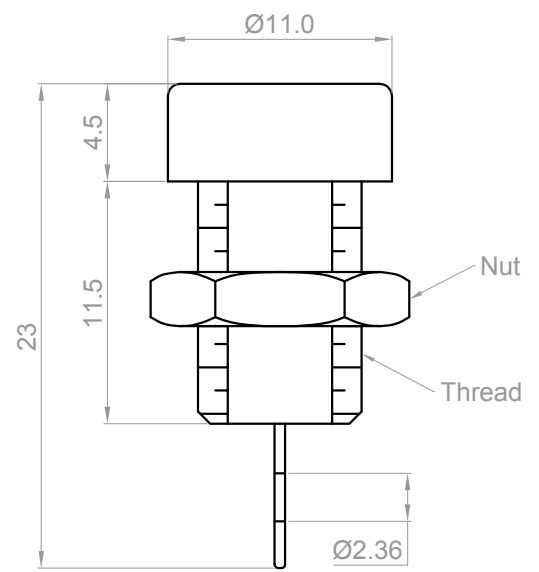
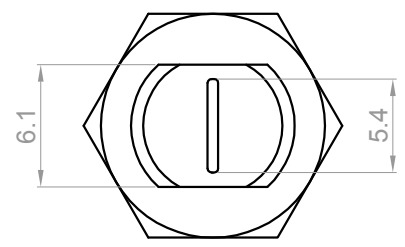


Rev.	Description	Date
01	Release for Production	08/28/2012



Note:

Material: Body: Nylon
 Contact: Brass, Tin Plate



Drawn	Feny	08/28/2012			
Checked	Sara	08/28/2012			
Eng Appr.					
Mfg Appr.					
Q.A.					
			Size : A4	Weight(Kg):	Unit: mm
			Scale: 6:1		Sheet 1of 1