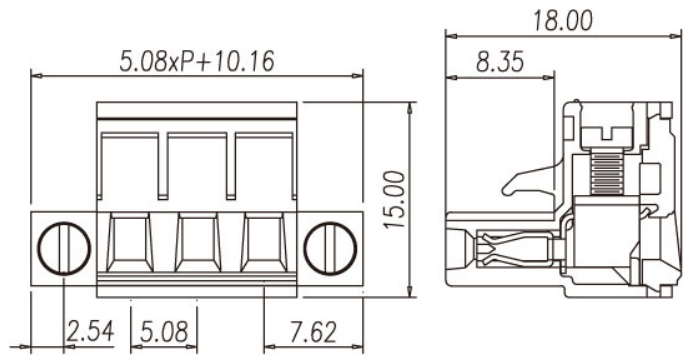


Plugs for pluggable terminal blocks / EC & ESD series



**2ESDVM**



**Pitch: 5.08mm**

|   |                 |      |
|---|-----------------|------|
| Approval  |                 |      |
| Technical Data  | UL              | IEC  |
| Rated voltage   | 300V            | 600V |
| Rated current   | 15A             | 18A  |
| Conductor cross-section, solid (AWG/ mm <sup>2</sup> )    | 28~12 / 0.2~2.5 |      |
| Conductor cross-section, flexible (AWG/ mm <sup>2</sup> ) | 30~12 / 0.2~2.5 |      |
| Rated surge voltage (UL/IEC/Max.)                         | 1.6 / 4 / 4 KV  |      |
| Torque (N-m)  | 0.51            |      |
| Screw   | M2.5            |      |
| Wire strip length   | 7~8mm           |      |
| Pole  | Cat. No.        |      |
| 02  | 2ESDVM-02P      |      |
| :   | :               |      |
| :   | :               |      |
| 24  | 2ESDVM-24P      |      |