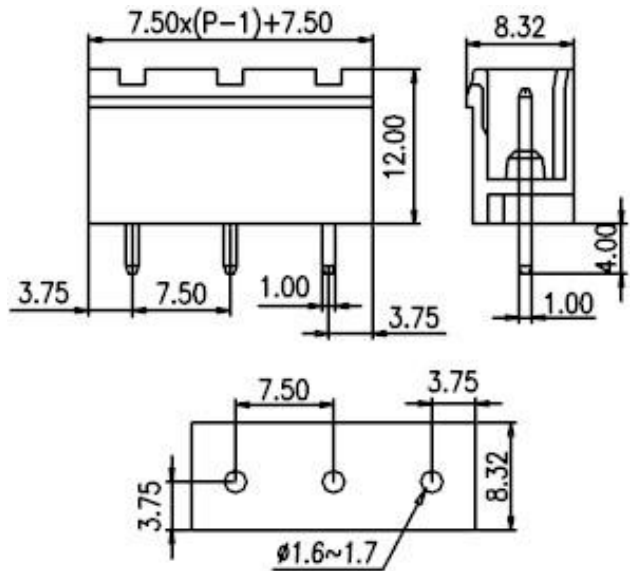
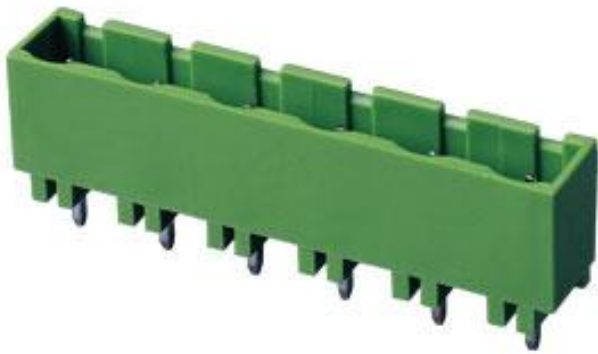




Headers(Sockets) for pluggable terminal blocks / ECH & EHD series



**7EHDVC**



**Pitch: 7.50mm**

Approval	 	
Technical Data	UL	IEC
Rated voltage	300V	750V
Rated current	15A	17.5A
Conductor cross-section, solid (AWG/ mm <sup>2</sup> )		
Conductor cross-section, flexible (AWG/ mm <sup>2</sup> )		
Rated surge voltage (UL/IEC/Max.)	1.6 / 3 / 4 KV	
Torque (N-m)		
Screw		
Wire strip length		
Pole	Cat. No.	
02	7EHDVC-02P	
:	:	
:	:	
14	7EHDVC-14P	