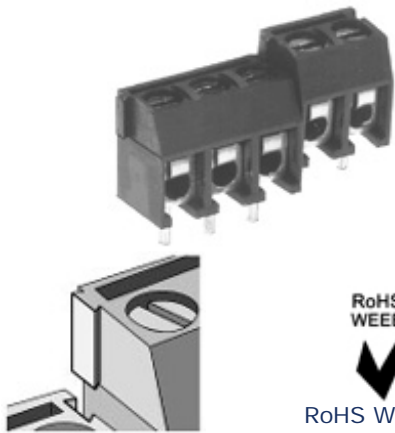




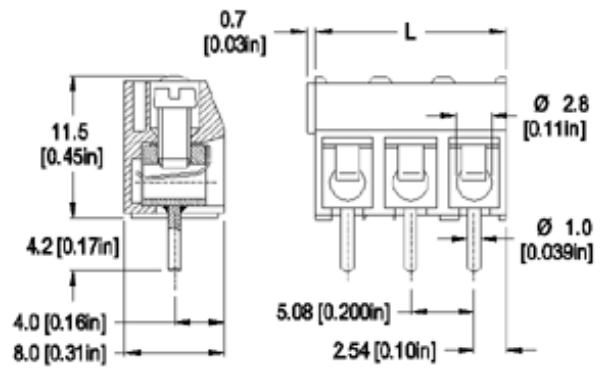
**Screw Connectors for Printed Circuit Boards**

**TYPE 940-T (-DS)**

0.2 in. spacing - 2 and 3 poles  
Distributor Stock Check



Dovetail Interlocking Feature



Dimensions: mm (in.)

Length of Connector (L)  
L = No. of Poles x Center to Center Spacing

When locating connector, allow 0.5 mm clearance around it for process-induced variations.

**Description**

- Dovetail version
- low profile
- Wire entrance parallel to PC Board
- Can be factory, field or distributor assembled to almost any length

**Technical Data**

**Center to Center Spacing:** 5.08 mm (0.200 in.)  
**Nominal Cross Section:**  
 1.5 mm<sup>2</sup> (2325 mils<sup>2</sup>)  
**Wire Stripping Length:** 6 mm (0.25 in.)  
**Recommended Hole Diameter in PC Board:**  
 1.3 mm (0.051 in.)

**Approval Information**

UL File No.E69841   
 CSA File No.LR24322

Rating	Current(A)	Voltage(V)	Application group	AWG
UL	15	300	B	26-14
CSA	15	300	B	26-12

\* Version DS is CSA certified for 26-14 AWG.

**Screw Tightening Torque:**

UL: 3.5 lbf·in  
 CSA: 0.4 Nm

**International Approvals:**



**Rated Impulse Withstand Voltage:** 2500 V

**Material**

**Molding:** Polyamide, self extinguishing UL 94, V-0, color grey

**Temperature limits:**

**Short Time:** 140°C (284°F)

**Continuous:** RTI 105°C (221°F)

**Low Limit:** -40°C (-40°F)

**Comparative Tracking Index:** CTI > 600

**Oxygen Index Rating:** 32%

**Terminal Body:** Tin plated copper alloy

**Wire Protector:** Tin plated copper alloy

**Screw:** M2.6, Slotted head, zinc plated blue passivated, steel substrate

**Solder Pin:** Ø 1.0 mm (0.04 in.), Tin plated copper alloy