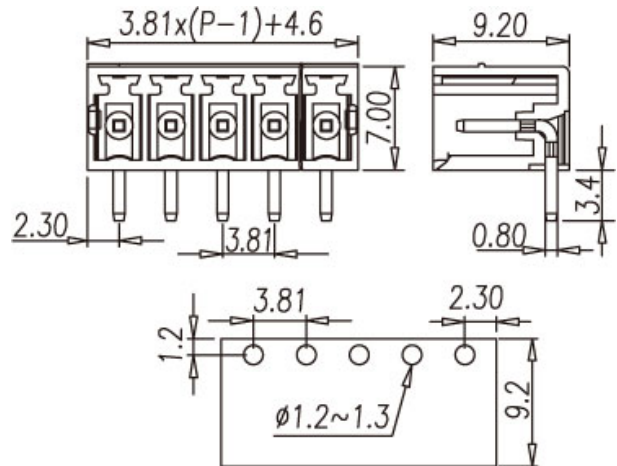


Headers(Sockets) for pluggable terminal blocks / ECH & EHD series



**ECH381R**



**Pitch: 3.81mm**

Approval		
Technical Data	UL	IEC
Rated voltage	300V	320V
Rated current	8A	14A
Conductor cross-section, solid (AWG/ mm <sup>2</sup> )		
Conductor cross-section, flexible (AWG/ mm <sup>2</sup> )		
Rated surge voltage (UL/IEC/Max.)	1.6 / 2.5 / 3 KV	
Torque (N-m)		
Screw		
Wire strip length		
Pole	Cat. No.	
02	ECH381R-02P	
:	:	
:	:	
24	ECH381R-24P	