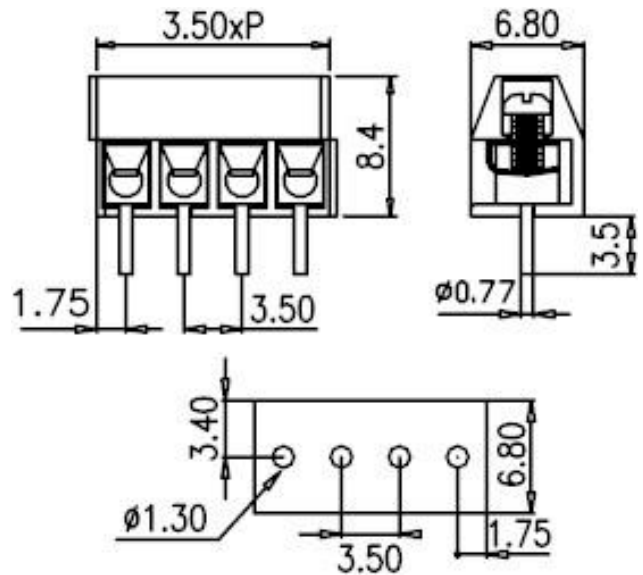
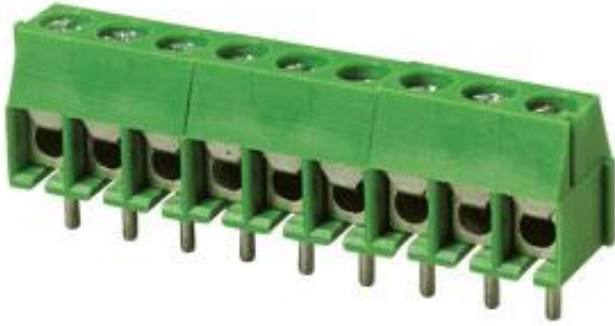



Wire protector type terminal blocks / ED series



ED350V



Pitch: 3.50mm

Approval		
Technical Data	UL	IEC
Rated voltage	300V	130V
Rated current	10A	10A
Conductor cross-section, solid (AWG/ mm ²)	24~16 / 0.5~1.5	
Conductor cross-section, flexible (AWG/ mm ²)	24~18 / 0.5~1.5	
Rated surge voltage (UL/IEC/Max.)	1.6 / 1.25 / 2 KV	
Torque (N-m)	0.23	
Screw	M2	
Wire strip length	5~6mm	
Pole	Cat. No.	
02	ED350V-02P	
03	ED350V-03P	
:	:	
:	:	