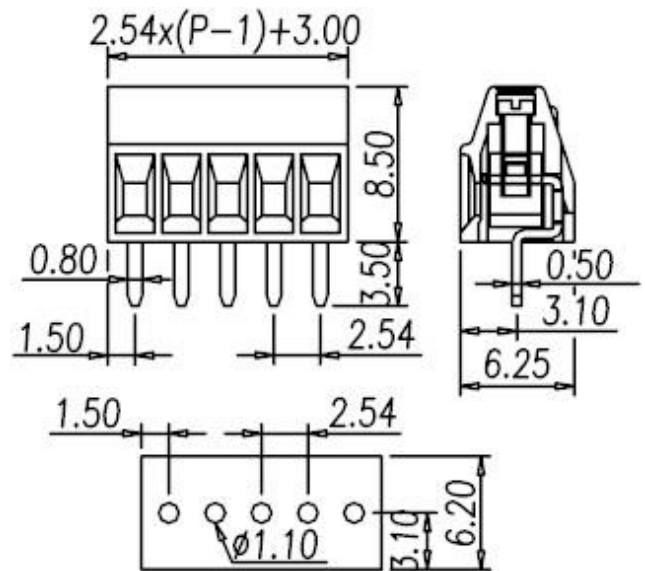



European P.C.B. type terminal blocks / EK series



**EK254V**



**Pitch: 2.54mm**

Approval		
Technical Data	UL	IEC
Rated voltage	150V	130V
Rated current	10A	8A
Conductor cross-section, solid (AWG/ mm <sup>2</sup> )	28~16 / 0.5~1.5	
Conductor cross-section, flexible (AWG/ mm <sup>2</sup> )	28~16 / 0.5~1.5	
Rated surge voltage (UL/IEC/Max.)	1.3 / 1.25 / KV	
Torque (N-m)	0.17	
Screw	M1.6	
Wire strip length	4~5mm	
Pole	Cat. No.	
02	EK254V-02P	
:	:	
:	:	
16	EK254V-16P	