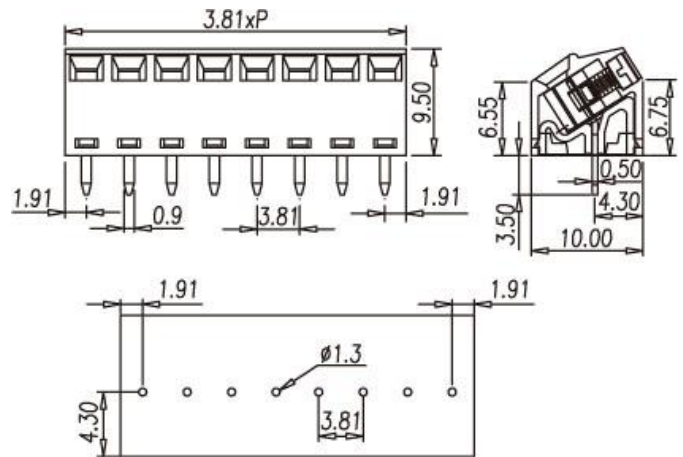




European P.C.B. type terminal blocks / EK series



EK381A



Pitch: 3.81mm

Approval	 	
Technical Data	UL	IEC
Rated voltage	300V	250V
Rated current	12A	12A
Conductor cross-section, solid (AWG/ mm ²)	30~16 / 0.5~1.5	
Conductor cross-section, flexible (AWG/ mm ²)	30~16 / 0.5~1.5	
Rated surge voltage (UL/IEC/Max.)	1.6 / 2 / 3 KV	
Torque (N-m)	0.20	
Screw	M2	
Wire strip length	6~7mm	
Pole	Cat. No.	
02	EK381A-02P	
:	:	
:	:	
24	EK381A-24P	