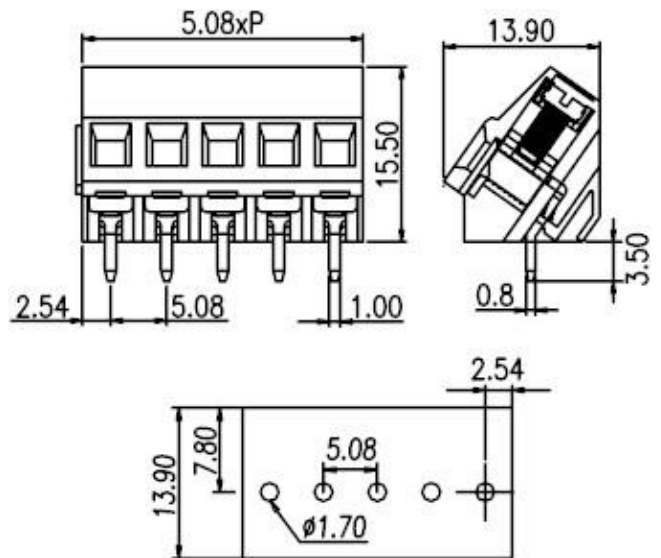





European P.C.B. type terminal blocks / EK series



**EK508A**



**Pitch: 5.08mm**

Approval	  	
Technical Data	UL	IEC
Rated voltage	300V	250V
Rated current	20A	10A
Conductor cross-section, solid (AWG/ mm <sup>2</sup> )	24~12 / 0.14~1.5	
Conductor cross-section, flexible (AWG/ mm <sup>2</sup> )	24~12 / 0.14~1.5	
Rated surge voltage (UL/IEC/Max.)	1.6 / 2 / 3 KV	
Torque (N-m)	0.50	
Screw	M2.5	
Wire strip length	6mm	
Pole	Cat. No.	
02	EK508A-02P	
:	:	
:	:	
24	EK508A-24P	