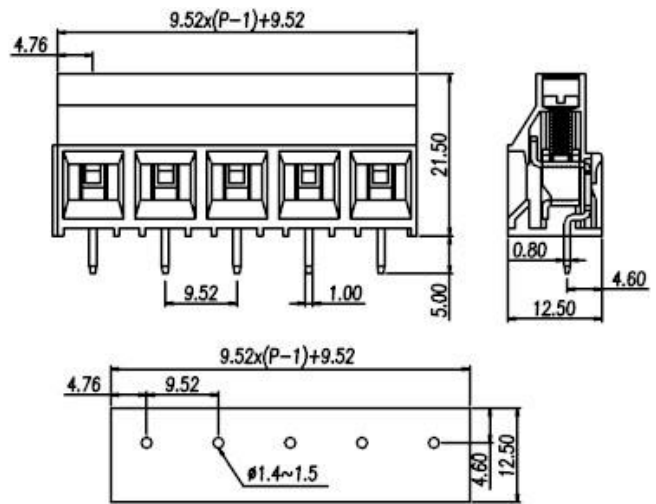
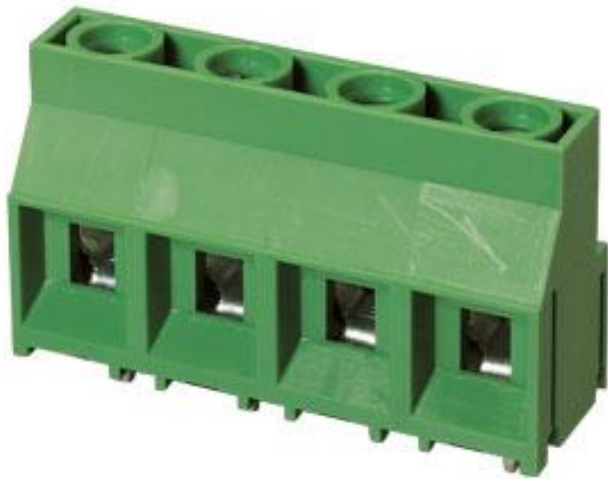




European P.C.B. type terminal blocks / EK series



EK950V



Pitch: 9.52mm

Approval	 	
Technical Data	UL	IEC
Rated voltage	300V / 600V	750V
Rated current	5A / 30A	32A
Conductor cross-section, solid (AWG/ mm ²)	26~10 / 0.5~4.0	
Conductor cross-section, flexible (AWG/ mm ²)	26~10 / 0.5~4.0	
Rated surge voltage (UL/IEC/Max.)	2.2 / 3 / 4 KV	
Torque (N-m)	0.50	
Screw	M3	
Wire strip length	6~7mm	
Pole	Cat. No.	
02	EK950V-02P	
03	EK950V-03P	
:	:	
:	:	