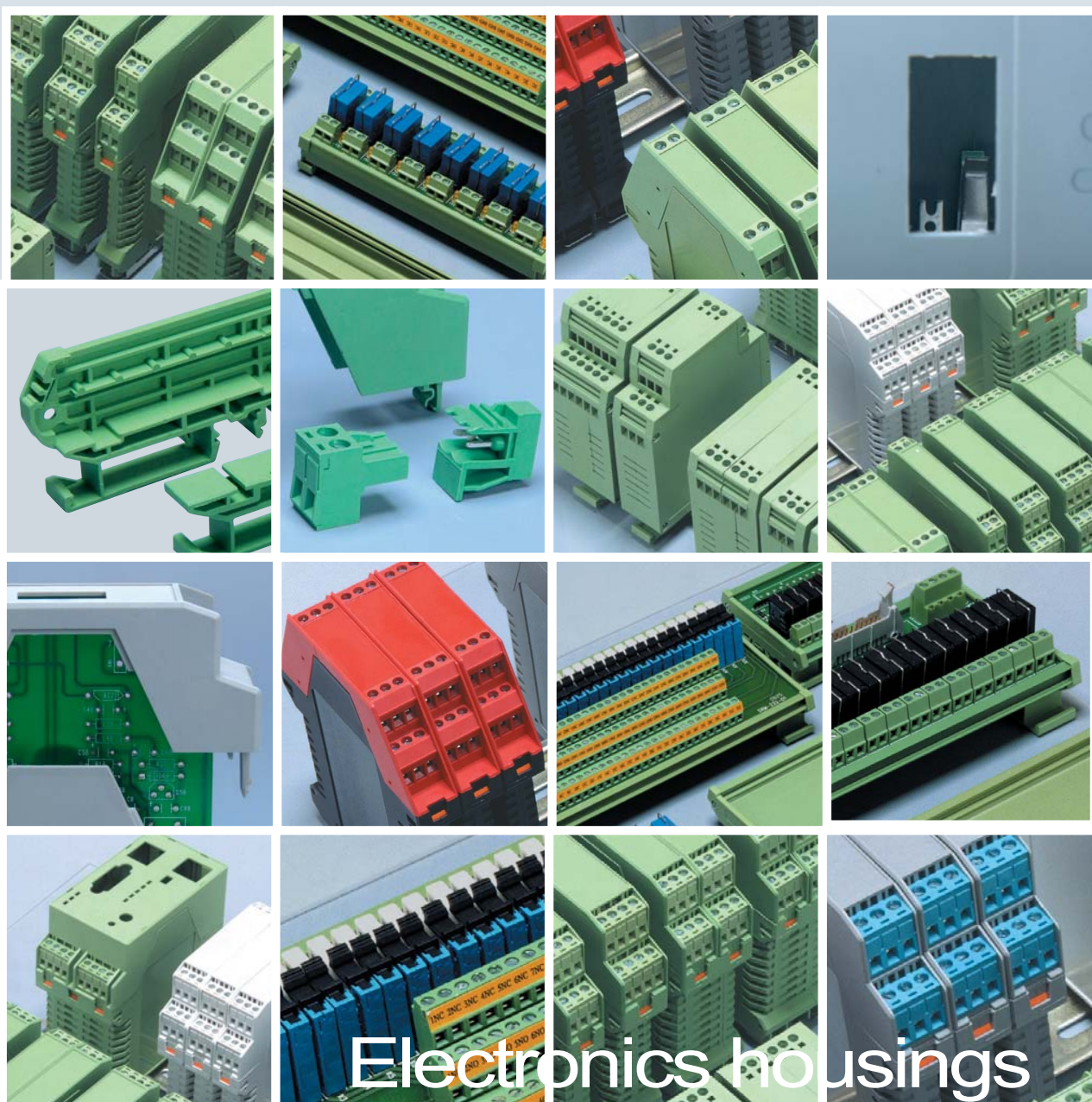
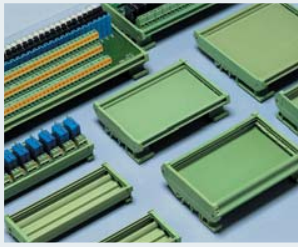


Electronics housings





KM

KM series, KMS, KMR, KMRT, and KMRF, are solid block design PCB carrier. These series are suitable for PCB with width in 42mm, 72mm, & 107mm. The length can be cut to the desired length. KMRT and KMRF are designs with higher housing that can hold 2 PCBs together. The higher housing also has more space to allow the possibility to solder components on the back of the PCB. These series are applied widely in all kinds of industrial control and panel control.

KM



KMSC
KMSC-1000
KMSC-2000
PCB Width 42mm



KMSC
KMSC-1000
KMSC-2000
PCB Width 42mm



KMRC
KMRC-1000
KMRC-2000
PCB Width 72mm



KMSR-XXXX
Assembled Spacer length(mm) Cat. No.
60 KMSR-0060
: :
: :
2000 KMSR-2000



KMSP-XXXX
Assembled Spacer length(mm) Cat. No.
60 KMSP-0060
: :
: :
2000 KMSP-2000



KMR-XXXX
Assembled Spacer length(mm) Cat. No.
60 KMR-0060
: :
: :
2000 KMR-2000



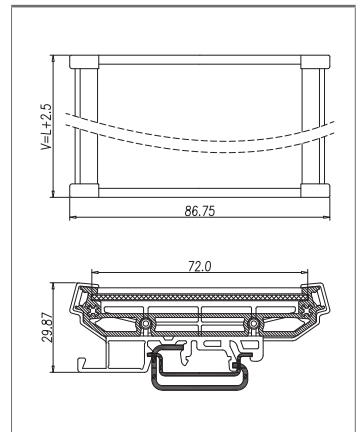
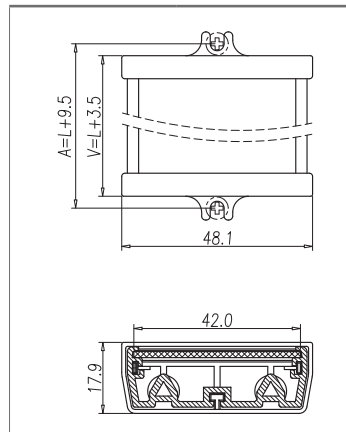
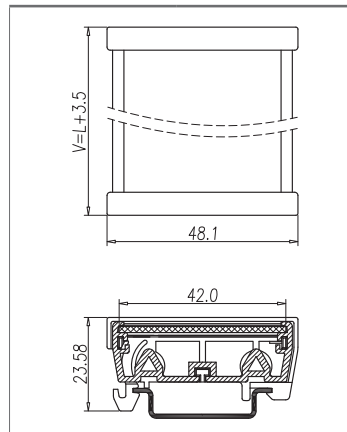
Side cover with rail mounting clamp
Left side KMSRML
Right side KMSRMR

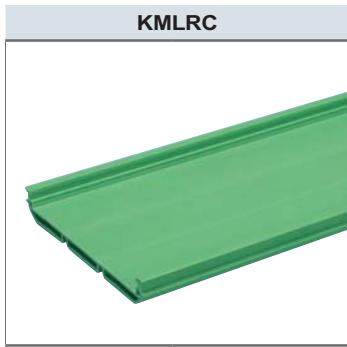


Side cover with rail mounting clamp
Left side KMSPM
Right side



Side cover with rail mounting clamp
Left side KMRML
Right side KMRMR





KMLRC

KMLRC-1000

KMLRC-2000

PCB Width 107mm



KMLR-XXXX

Assembled
Spacer length(mm)

Cat. No.

60 KMLR-0060

: :

: :

2000 KMLR-2000



KMRTC

KMRTC-1000

KMRTC-2000

PCB Width 72mm



KMRT-XXXX

Assembled
Spacer length(mm)

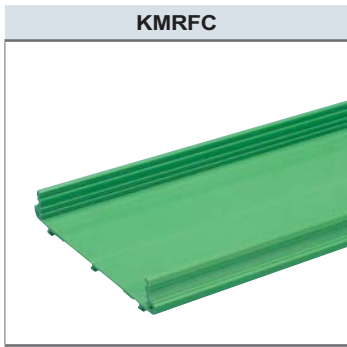
Cat. No.

60 KMRT-0060

: :

: :

2000 KMRT-2000



KMRFC

KMRFC-1000

KMRFC-2000

PCB Width 107mm



KMRF-XXXX

Assembled
Spacer length(mm)

Cat. No.

60 KMRF-0060

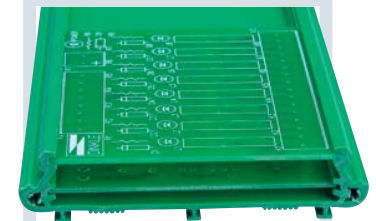
: :

: :

2000 KMRF-2000



KMRF



KMRT



KMRH-K175



Side cover with rail mounting clamp

Left side KMLRML

Right side KMLRMR



Side cover with rail mounting clamp

Left side KMRTML

Right side KMRTMR

Mounting clamp KMRT-PP

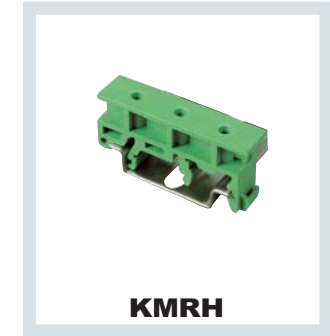


Side cover with rail mounting clamp

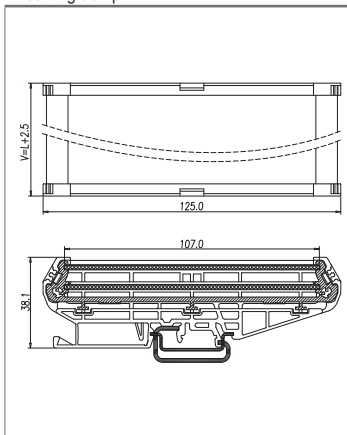
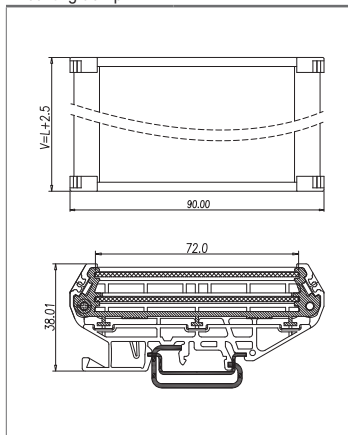
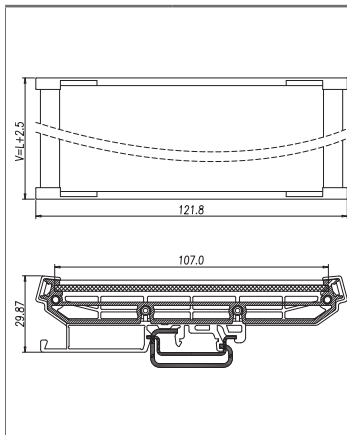
Left side KMRFML

Right side KMRFMR

Mounting clamp KMRF-PP



KMRH

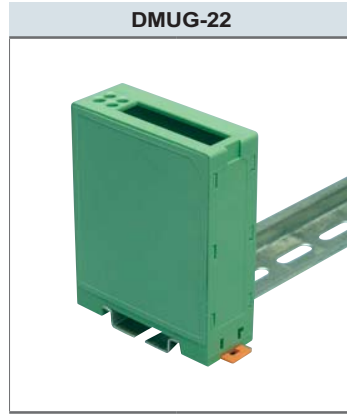




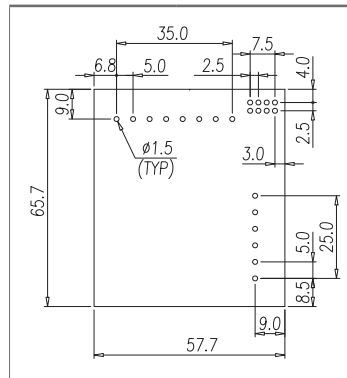
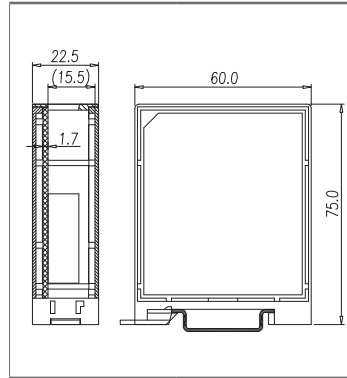
DM

Dinkle electronics enclosures provide different specs. The contact positions range from 4 positions to 28 positions. These series allow customers to design easily and enable to launch their products in the market quickly. Except standard products, Dinkle can also support customers to develop their own specific enclosures with different colors to meet customers' requirements for their finished product. For more information, please feel free to contact us.

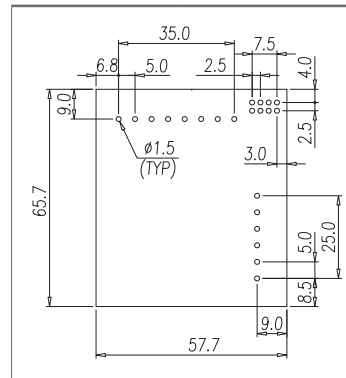
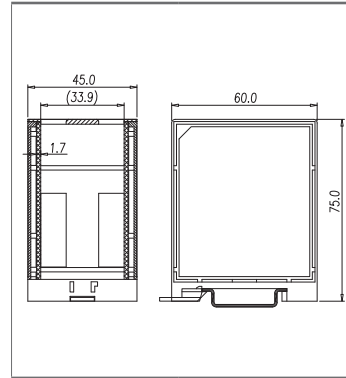
DM



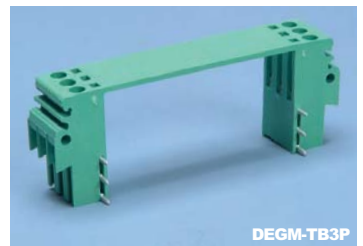
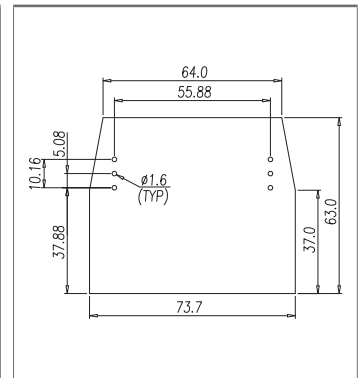
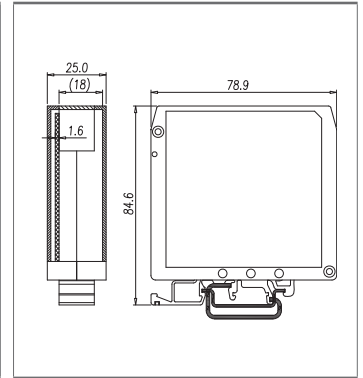
Pole Size	14
PCB Slot	1
Terminal Block	5EHDR-04,08P 5ESDV-04,08P
Solid wire(AWG)	28~12
Stranded wire(AWG)	28~12
Wire strip length	7~8mm



Pole Size	28
PCB Slot	2
Terminal Block	5EHDR-06,08P 5ESDV-06,08P
Solid wire(AWG)	28~12
Stranded wire(AWG)	28~12
Wire strip length	7~8mm



Pole Size	6
PCB Slot	1
Terminal Block	DEGM-TB3P
Solid wire(AWG)	24~12
Stranded wire(AWG)	24~12
Wire strip length	7~8mm



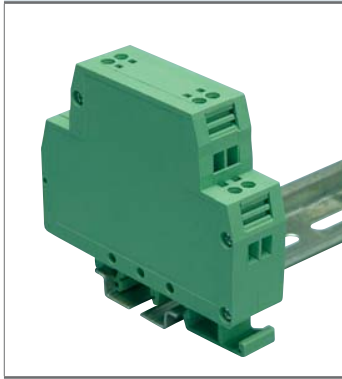
DEGM-TB3P

DEGM-06P

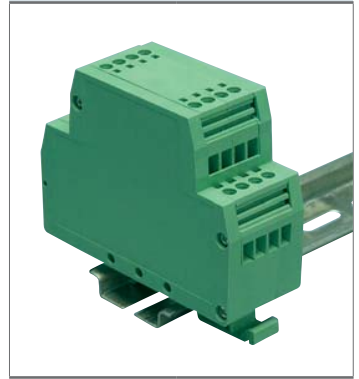
Pole Size	12
PCB Slot	2
Terminal Block	DEGM-TB3P
Solid wire(AWG)	24~12
Stranded wire(AWG)	24~12
Wire strip length	7~8mm

DEGM-12P

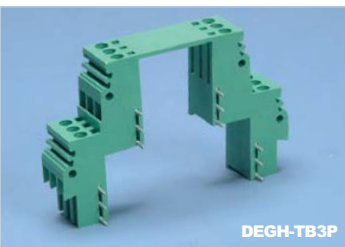
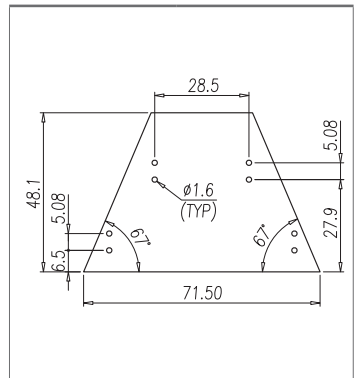
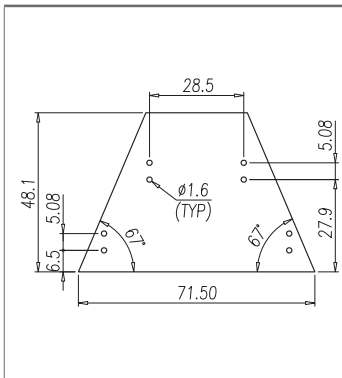
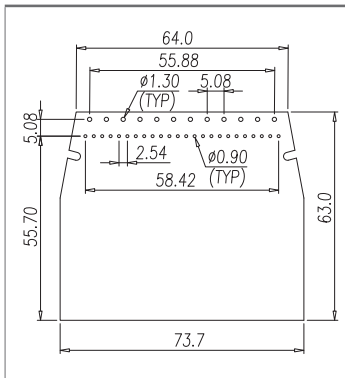
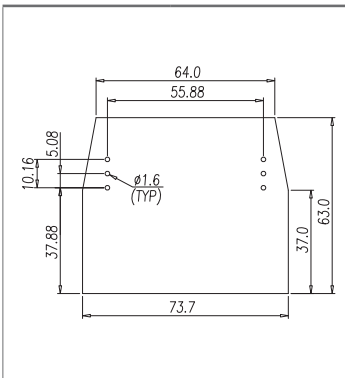
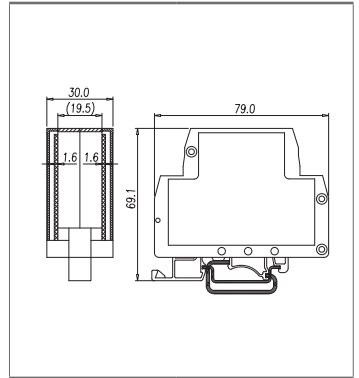
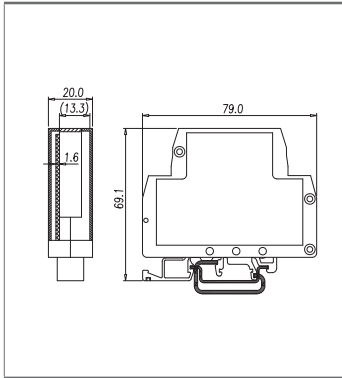
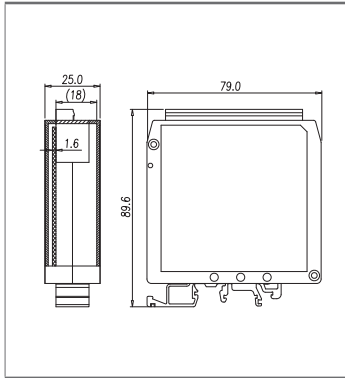
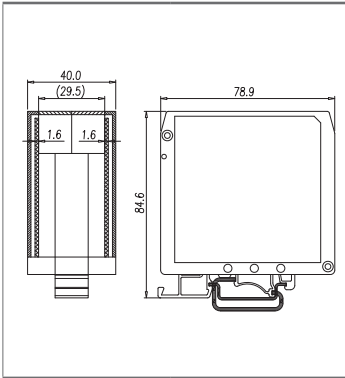
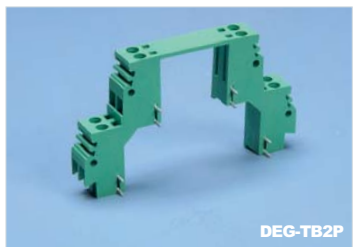
Pole Size	12
PCB Slot	1
Terminal Block	2EHDR-12P 2ESDV-12P
Solid wire(AWG)	28~12
Stranded wire(AWG)	28~12
Wire strip length	7~8mm

DEG-02P

Pole Size	8
PCB Slot	1
Terminal Block	DEG-TB2P
Solid wire(AWG)	24~12
Stranded wire(AWG)	24~12
Wire strip length	7~8mm

DEG-04P

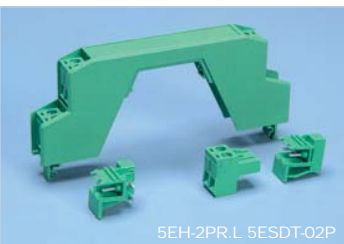
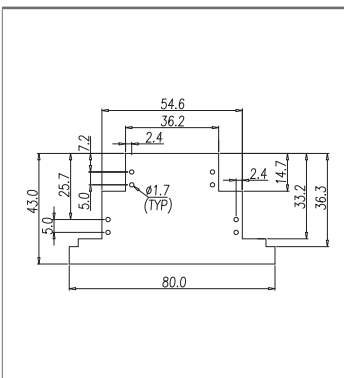
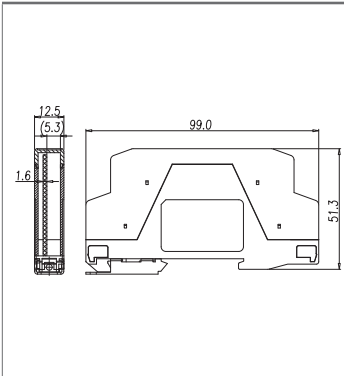
Pole Size	16
PCB Slot	2
Terminal Block	DEG-TB2P
Solid wire(AWG)	24~12
Stranded wire(AWG)	24~12
Wire strip length	7~8mm

**DEGH-TB3P****DEG-TB2P****DEG-TB2P**

DMES-T2PGG



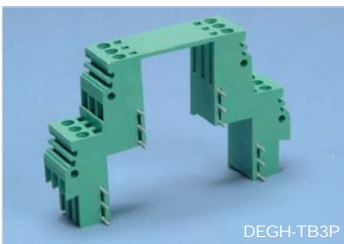
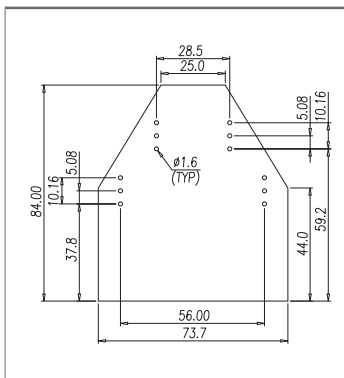
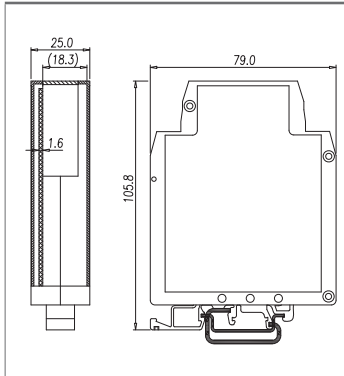
Pole Size	16
PCB Slot	1
Terminal Block	5EH-2PR.2PL 5ESDT-02P
Solid wire(AWG)	28~12
Stranded wire(AWG)	28~12
Wire strip length	7~8mm



DEGH-03P



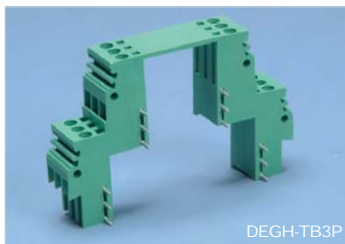
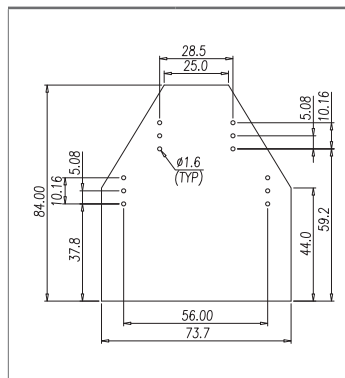
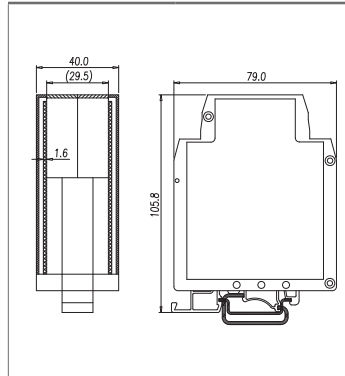
Pole Size	12
PCB Slot	1
Terminal Block	DEGH-TB3P
Solid wire(AWG)	24~14
Stranded wire(AWG)	24~14
Wire strip length	7~8mm



DEGH-06P



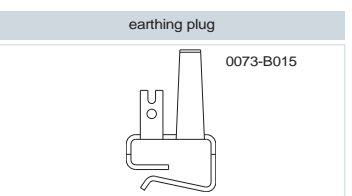
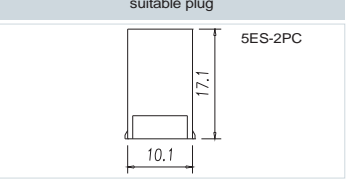
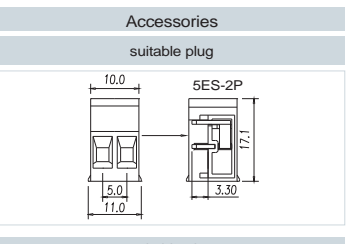
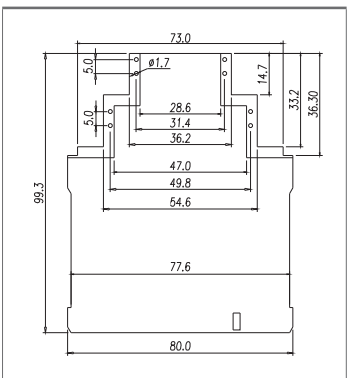
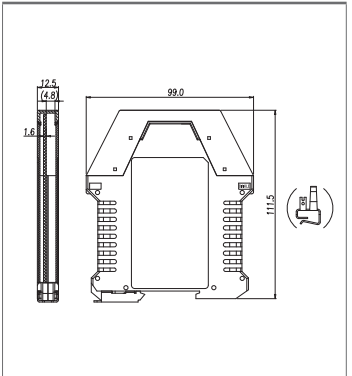
Pole Size	24
PCB Slot	2
Terminal Block	DEGH-TB3P
Solid wire(AWG)	24~14
Stranded wire(AWG)	24~14
Wire strip length	7~8mm



DMEN-S2PGG / DMEN-S2PGG-PE



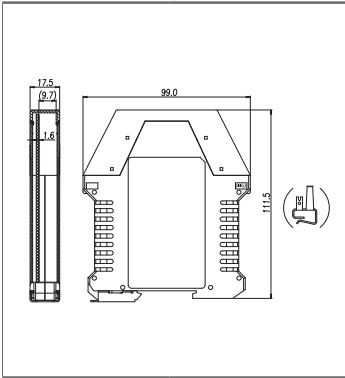
Pole Size	8
PCB Slot	1
Terminal Block	5ES-2PR.2PL
Solid wire(AWG)	28~12
Stranded wire(AWG)	28~12
Wire strip length	7~8mm



DMEN-S3PGG / DMEN-S3PGG-PE



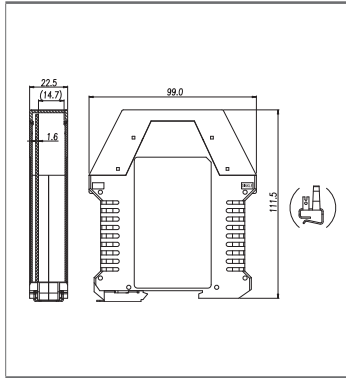
Pole Size	12
PCB Slot	1
Terminal Block	5ES-3PR.3PL
Solid wire(AWG)	28~12
Stranded wire(AWG)	28~12
Wire strip length	7~8mm



DMEN-S4PGG / DMEN-S4PGG-PE



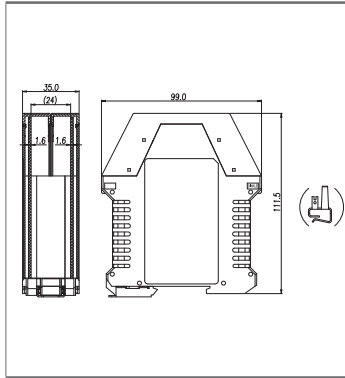
Pole Size	16
PCB Slot	1
Terminal Block	5ES-4PR.4PL
Solid wire(AWG)	28~12
Stranded wire(AWG)	28~12
Wire strip length	7~8mm



DMEN-S6PGG / DMEN-S6PGG-PE



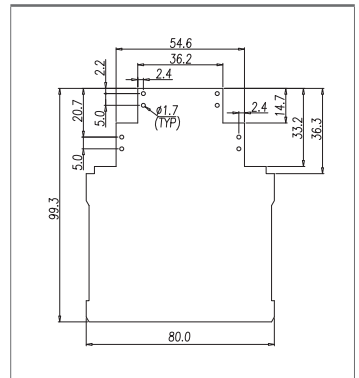
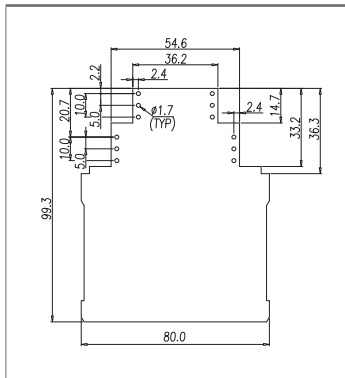
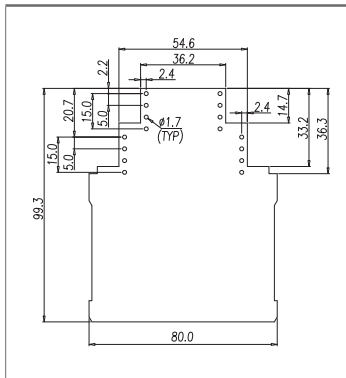
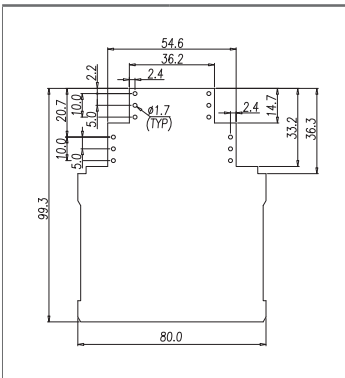
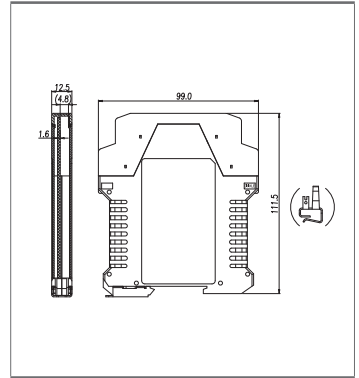
Pole Size	24
PCB Slot	2
Terminal Block	5ES-3PR.3PL
Solid wire(AWG)	28~12
Stranded wire(AWG)	28~12
Wire strip length	7~8mm



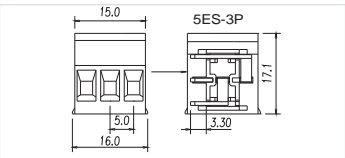
DMEN-T2PGG / DMEN-T2PGG-PE



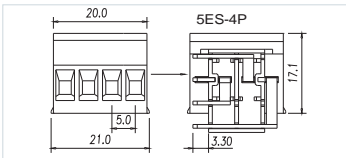
Pole Size	8
PCB Slot	1
Terminal Block	5EH-2PR.2PL 5ESDT-02P
Solid wire(AWG)	28~12
Stranded wire(AWG)	28~12
Wire strip length	7~8mm



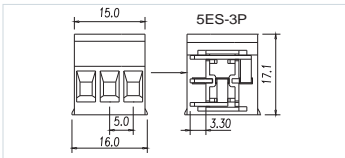
Accessories
suitable plug



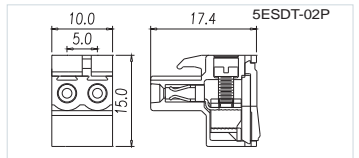
Accessories
suitable plug



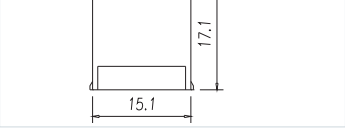
Accessories
suitable plug



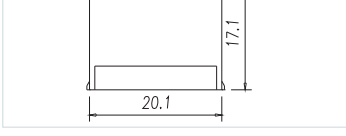
Accessories
suitable plug



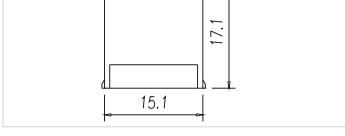
Accessories
suitable plug



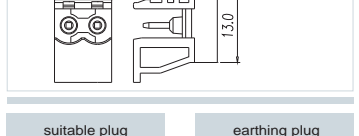
Accessories
suitable plug



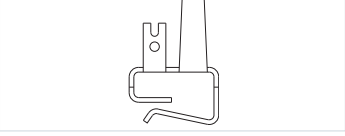
Accessories
suitable plug



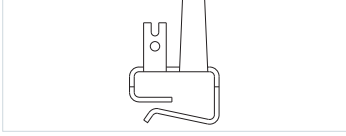
Accessories
suitable plug



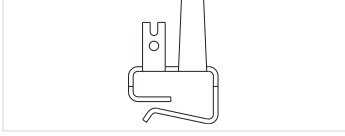
Accessories
earthing plug



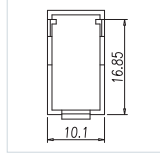
Accessories
earthing plug



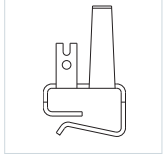
Accessories
earthing plug



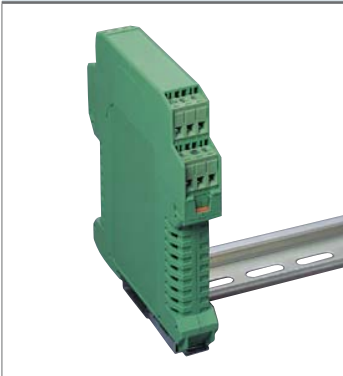
Accessories
suitable plug



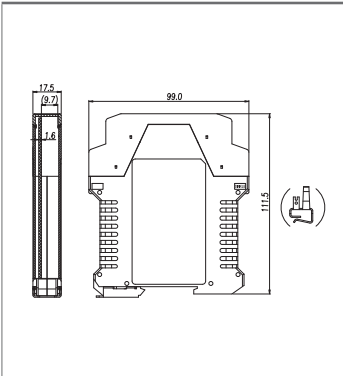
Accessories
earthing plug



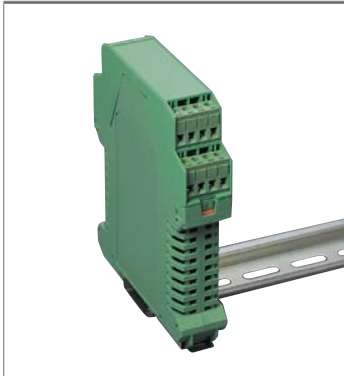
DMEN-T3PGG / DMEN-T3PGG-PE



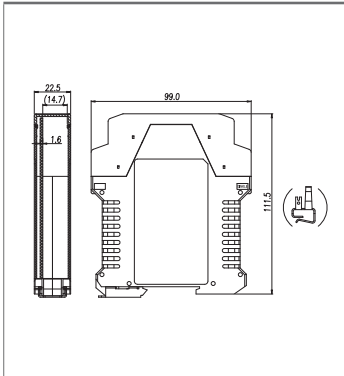
Pole Size	12
PCB Slot	1
Terminal Block	5EH-3PR.3PL 5ESDT-03P
Solid wire(AWG)	28~12
Stranded wire(AWG)	28~12
Wire strip length	7~8mm



DMEN-T4PGG / DMEN-T4PGG-PE



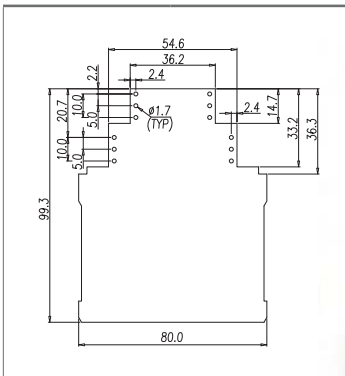
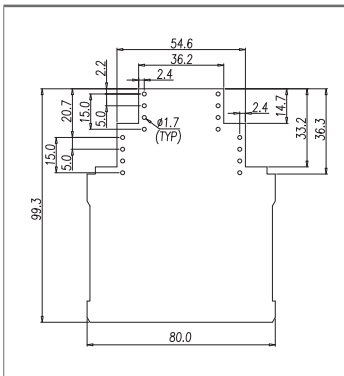
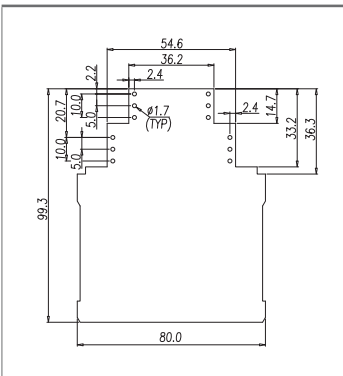
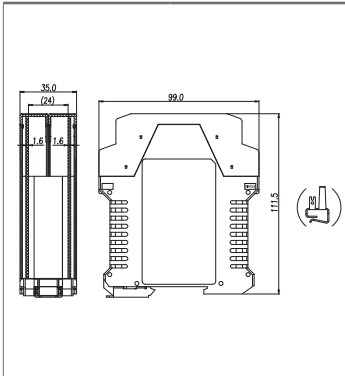
Pole Size	16
PCB Slot	1
Terminal Block	5EH-4PR.4PL 5ESDT-04P
Solid wire(AWG)	28~12
Stranded wire(AWG)	28~12
Wire strip length	7~8mm



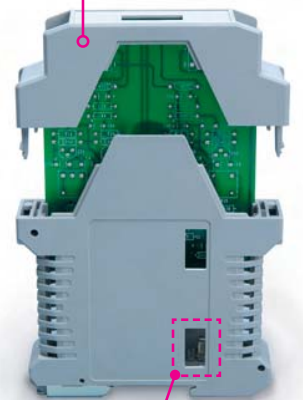
DMEN-T6PGG / DMEN-T6PGG-PE



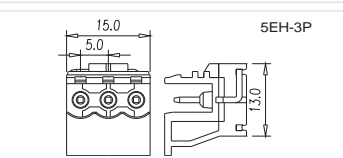
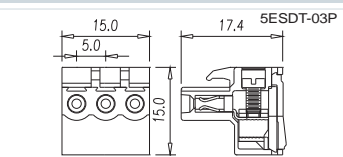
Pole Size	24
PCB Slot	2
Terminal Block	5EH-3PR.3PL 5ESDT-03P
Solid wire(AWG)	28~12
Stranded wire(AWG)	28~12
Wire strip length	7~8mm



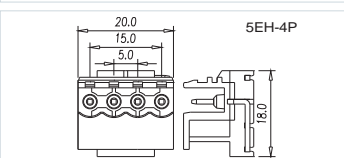
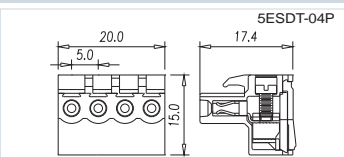
The standard colour of the housing is in green. Any special colour can be requested by customer's specific requirement.



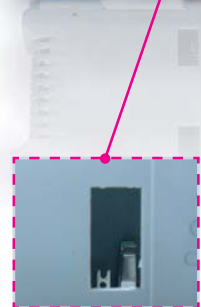
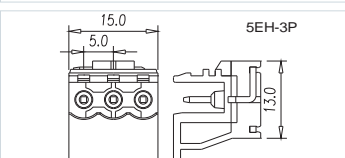
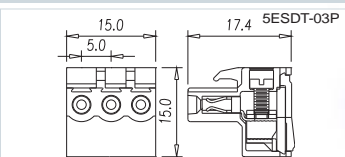
Accessories
suitable plug



Accessories
suitable plug

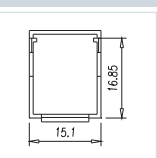


Accessories
suitable plug

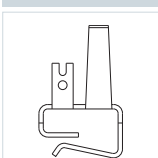


(G) Means the PCB can be installed with the grounding metal clamp. Therefore, PCB can connect to rail to achieve grounding function.

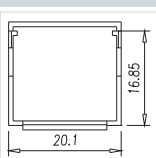
suitable plug
5EH-3PC



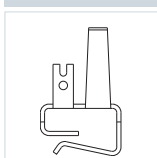
earthing plug
0073-B015



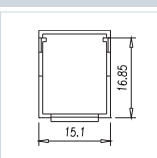
suitable plug
5EH-4PC



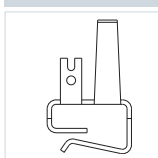
earthing plug
0073-B015

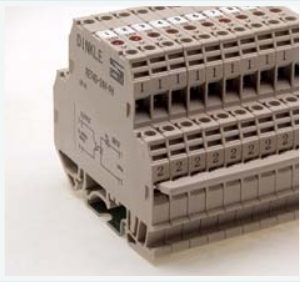


suitable plug
5EH-2PC



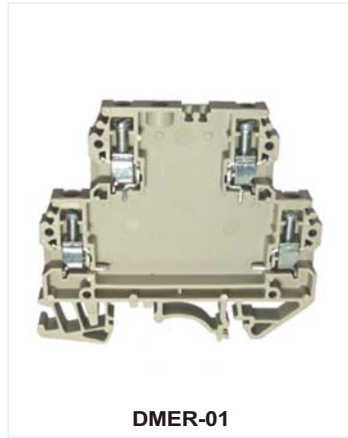
earthing plug
0073-B015





DMER Electronic housing

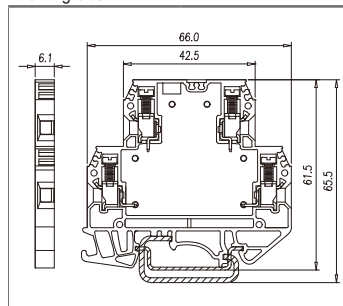
- 6.1 mm width miniature design with 4 contacts
- Design for electronic and control applications
- DMER-02 & 03 equipped with short and long LED light guides separately for LED status indicating
- Circuit and mark printing service on the housing/cover is available
- Optional accessories : marking labels , bridges, and partition plates
- Standard color of housing: grey. Optional colors: black and green.
- RoHS compliance



DMER-01

Terminal Pole Size	4
Light guidance	
Wire range(AWG/mm ²)	24~12 / 0.5~2.5mm
Torque(N-m)	0.8
Screw	M3
Wire strip length	7~12mm
Insulating material	PA

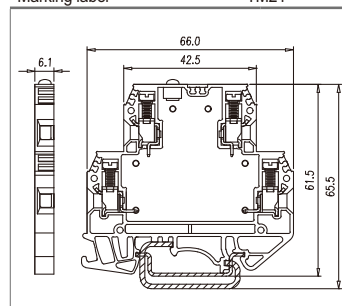
Optional color	Cat. No.
●	DMER-01-BK
●	DMER-01-GN
Optional accessories	Cat. No.
End cover	DMERC
●	DMERC-BK
●	DMERC-GN
Insertion bridge	CSC-402N CSC-403N CSC-410N
Marking label	TM21



DMER-02

Terminal Pole Size	4
Light guidance	1
Wire range(AWG/mm ²)	24~12 / 0.5~2.5mm
Torque(N-m)	0.8
Screw	M3
Wire strip length	7~12mm
Insulating material	PA

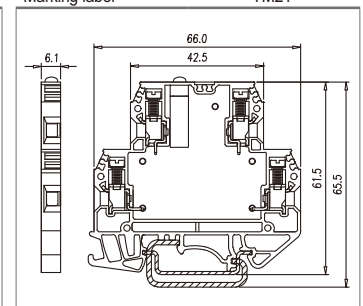
Optional color	Cat. No.
●	DMER-02-BK
●	DMER-02-GN
Optional accessories	Cat. No.
End cover	DMERC
●	DMERC-BK
●	DMERC-GN
Insertion bridge	CSC-402N CSC-403N CSC-410N
Marking label	TM21



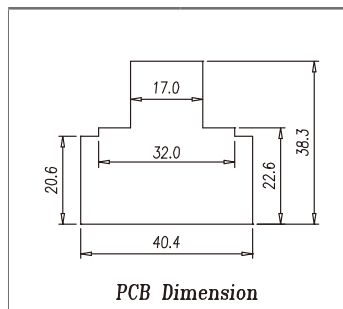
DMER-03

Terminal Pole Size	4
Light guidance	1
Wire range(AWG/mm ²)	24~12 / 0.5~2.5mm
Torque(N-m)	0.8
Screw	M3
Wire strip length	7~12mm
Insulating material	PA

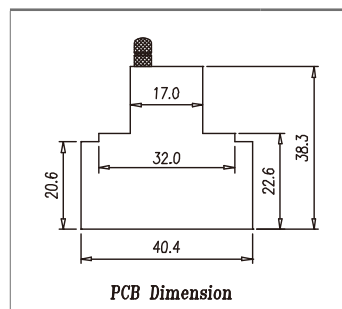
Optional color	Cat. No.
●	DMER-03-BK
●	DMER-03-GN
Optional accessories	Cat. No.
End cover	DMERC
●	DMERC-BK
●	DMERC-GN
Insertion bridge	CSC-402N CSC-403N CSC-410N
Marking label	TM21



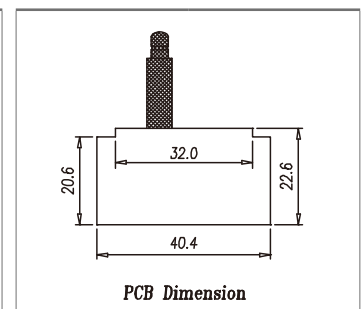
Application example



PCB Dimension



PCB Dimension



PCB Dimension