

SWITCHES PUSH BUTTON

SUB-MINIATURE PUSH BUTTON SWITCHES

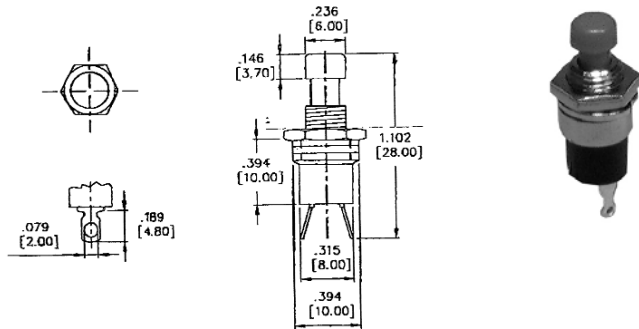
SPECIFICATIONS:

Current Rating:	1A @ 125V AC
Initial Contact Resistance:	DC 2.5V-1A, 10 Meg ohm (Min.)
Insulation Resistance:	500V DC 100 Meg ohm (Min.)
Dielectric Strength:	1000V AC for 1 minute
Contact Material:	Brass - Silver Plate
Terminal Material:	Brass - Silver Plate
Terminal Type:	Solder

Part No.	Type	Action	Actuator
*30-2289	SPST	OFF - (ON)	Red Nylon
*30-2299	SPST	(OFF) - ON	Black Nylon

NOTE: () = Momentary

* = 2 Pieces per blister pack



Mounting Hole: 0.265"