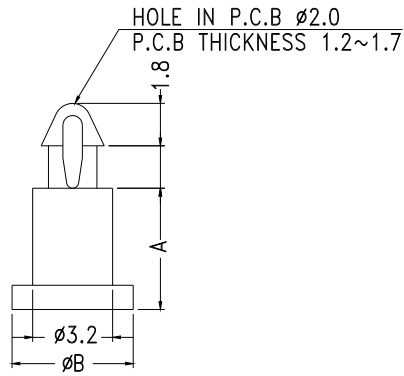
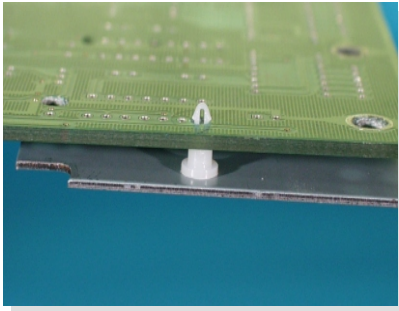
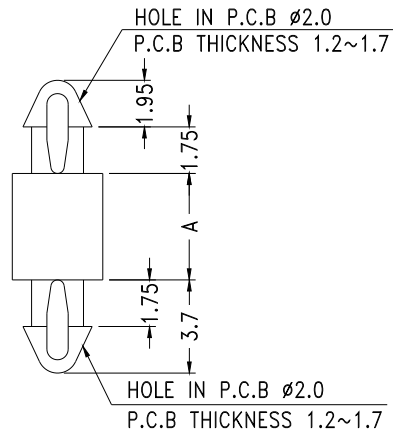
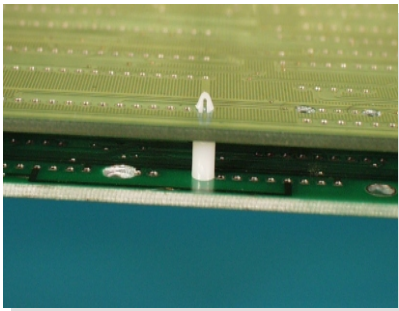


PC



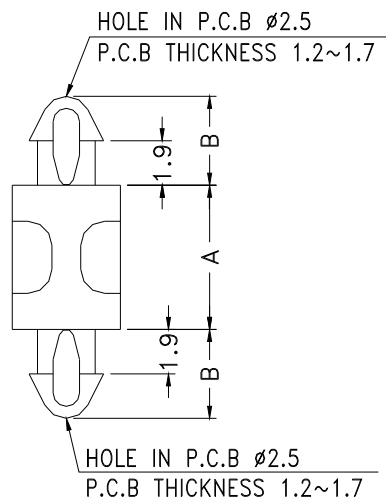
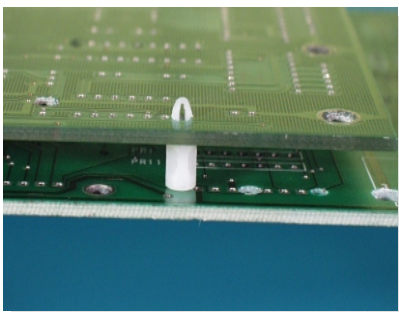
PARTNO	A	B	PACKAGE
MA-2	2.0	4.2	2000
MA-2.5	2.5	4.2	
MA-3	3.0	4.8	
MA-4	4.0	4.8	
MA-5	5.0	4.8	
MA-6	6.0	5.0	
MA-6.5	6.5	5.0	

PC



PARTNO	A	PACKAGE
MAD-4	4.0	2000
MAD-6	6.0	
MAD-6.5	6.5	
MAD-8	8.0	
MAD-10	10.5	

PC



PARTNO	A	B	PACKAGE
MADM-2	2.0	3.7	2000
MADM-3	3.0		
MADM-4	4.0	3.9	
MADM-5	5.0		
MADM-6	6.0		
MADM-7.5	7.5		
MADM-8	8.0		
MADM-10A	10.0		
MADM-10	10.5	3.8	
MADM.12.7	12.7		