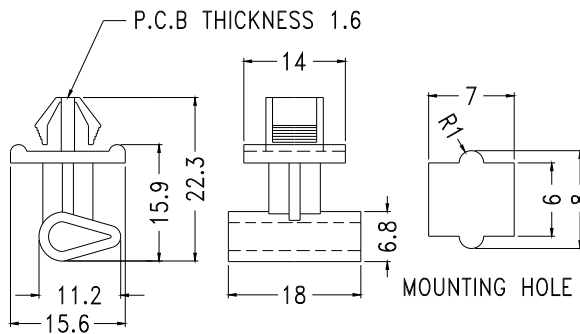
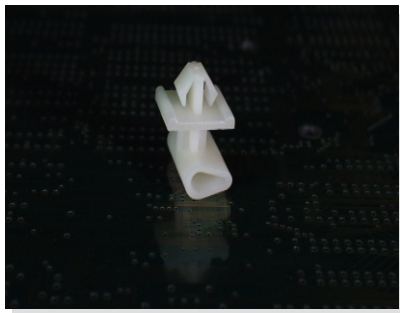
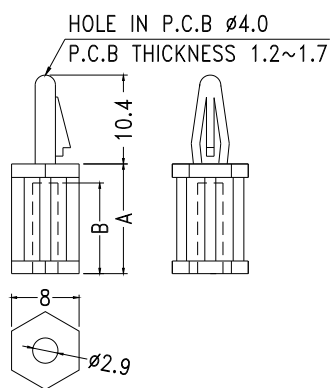
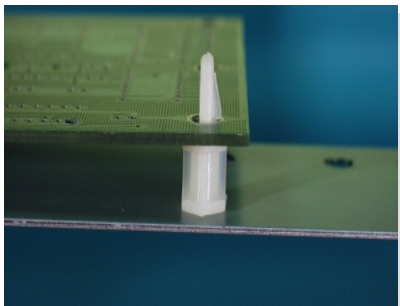


PC



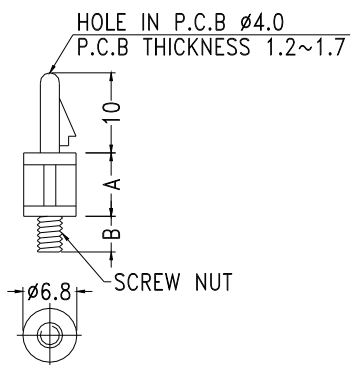
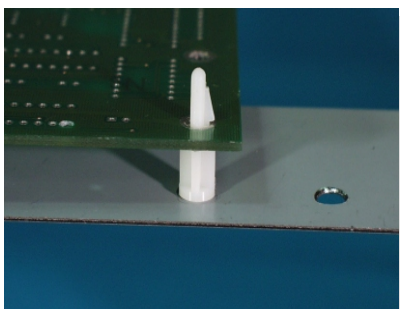
PART NO	PACKAGE
PS-16	500

PC



PARTNO.	A	B	PACKAGE
BS-6	6.4	4.8	1000
BS-9	9.6	8.0	
BS-12	12.8	11.0	
BS-14	14.0	12.7	
BS-15	16.0	13.0	
BS-19	19.2	16.2	
BS-22	22.4	19.4	
BS-25	25.6	24.0	
BS-28	29.0	25.9	

PC



PARTNO	A	B	SCREW NUT	PACKAGE
SCB-6	6.3	7.8	6-32 UNC	1000
SCB-10	9.5	7.8	6-32 UNC	
SCB-12	12.7	7.8	6-32 UNC	
SCB-15	15.9	7.8	6-32 UNC	