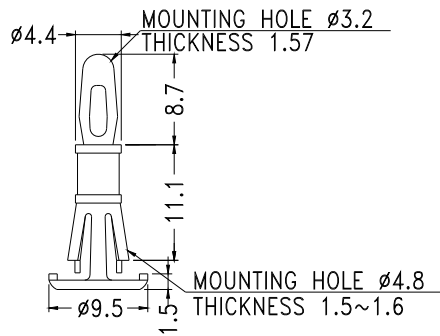
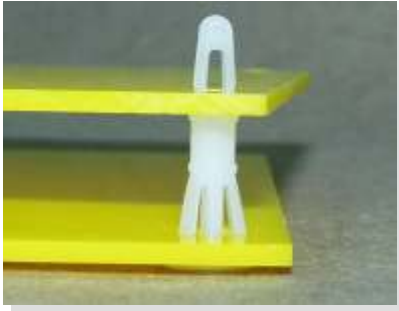


PC I O SPACER SUPPORT

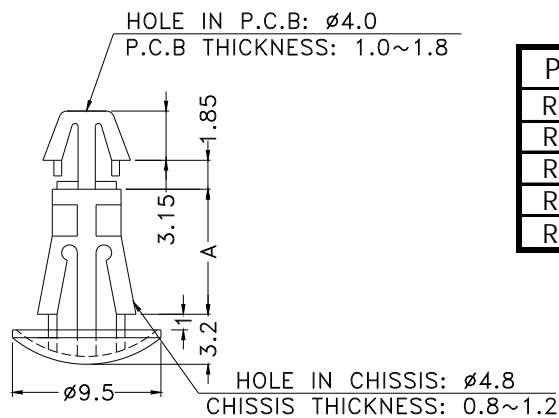
- 。MATERIAL:NYLON 66(UL)
- 。FLAME CLASS :94V-2
- 。COLOR:NATURAL
- 。UNIT:「 P



PARTNO	PACKAGE
RCV-11.1	1000

PC I O SPACER SUPPORT

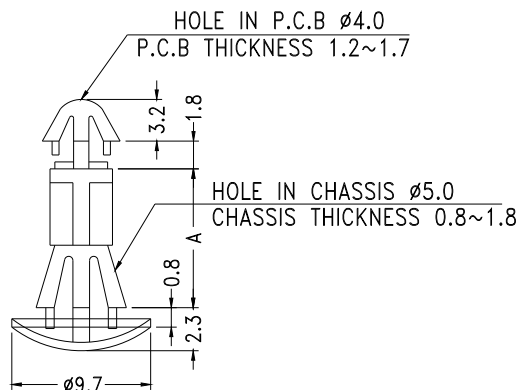
- 。MATERIAL:NYLON 66(UL)
- 。FLAME CLASS :94V-2
- 。COLOR:NATURAL
- 。UNIT:「 P



PARTNO	A	PACKAGE
RCD-3	3.0	2000
RCD-6	6.3	
RCD-8	8.0	
RCD-10	10.0	
RCD-11	11.0	

PC I O SPACER SUPPORT

- 。MATERIAL:NYLON 66(UL)
- 。FLAME CLASS :94V-2
- 。COLOR:NATURAL
- 。UNIT:「 P



PARTNO	A	PACKAGE
RCS-6	6	1000
RCS-16	16	