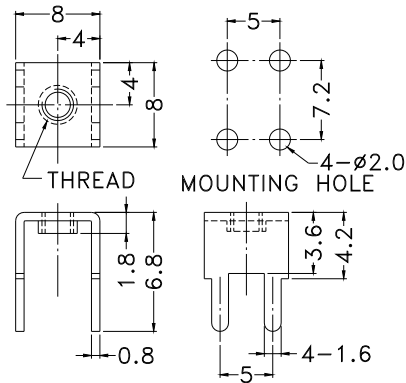
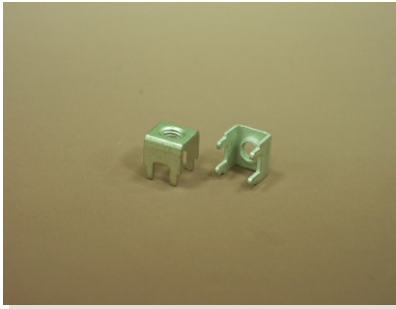
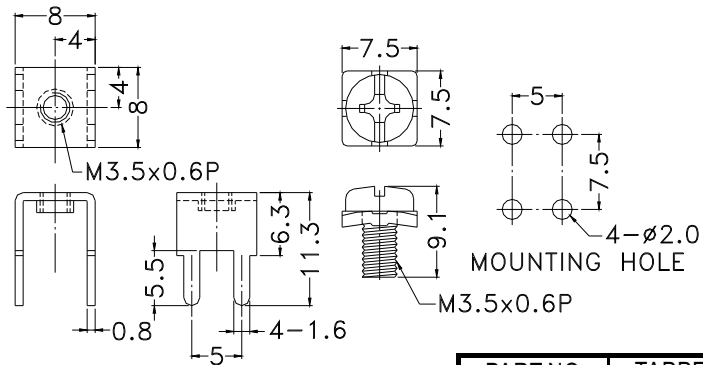


PC 



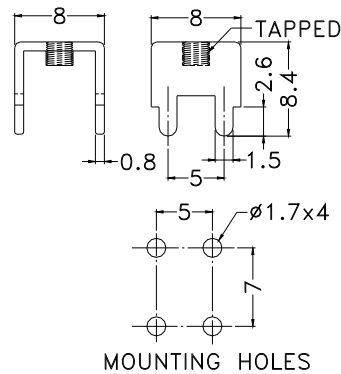
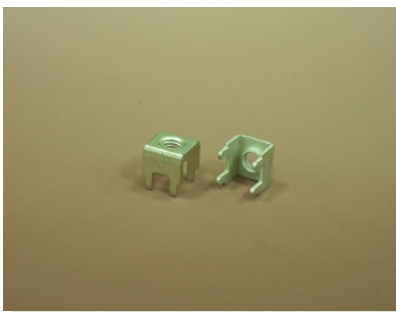
PART NO.	TAPPED	PACKAGE
PCB-9	M3X0.5	1000
PCB-9(M4)	M4X0.7	
PCB-9(632)	6-32 UNC	

PC 



PART NO.	TAPPED	PACKAGE
PCB-10	M3.5	1000

PC 



PART NO.	TAPPED	PACKAGE
PCB-11	M3	1000
PCB-11(M4)	M4	
PCB-11(632)	6-32 UNC	