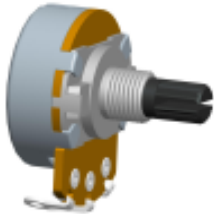


# 24mm Plastic Shaft Rotary Potentiometer

**24N2**



## Part Number

**24N2 – B 10K, L- 20 KC**

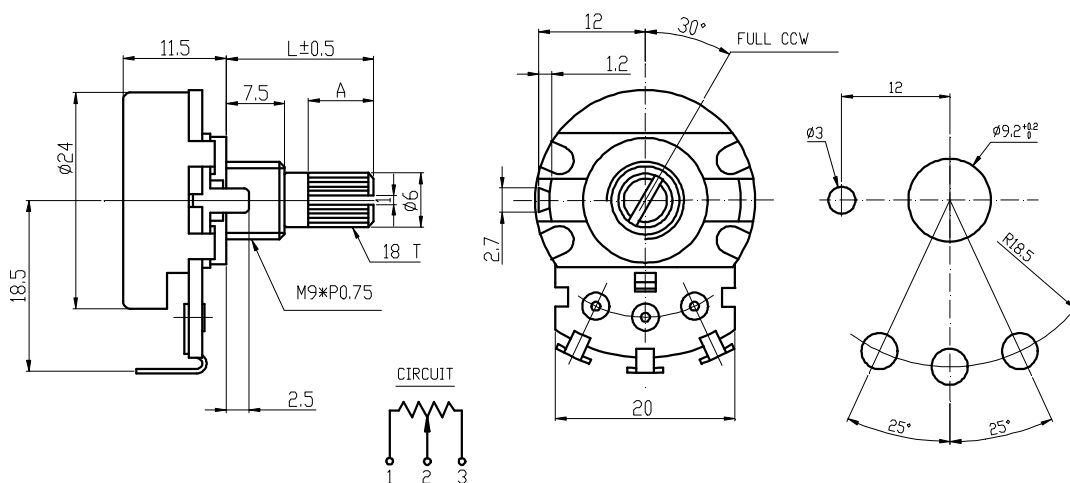
Taper

Shaft Length

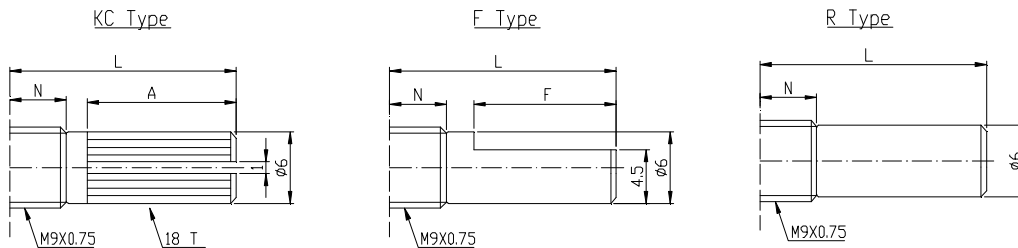
Resistance value

Shaft Type

## Dimensions



## Shaft Type



N=7.5mm

Shaft Type	L	15	20
KC	A	6.5	11.5
F	F	7	12
R	L	15	20

## 24mm Plastic Shaft Rotary Potentiometer

### General

Operating temperature	-10 °C ~ +70 °C
Manual soldering	300 °C Max 3sec

### Electrical Characteristics

Total resistance	1K $\Omega$ ~1M $\Omega$
Resistance tolerance	$\pm 20\%$ (more than 1M $\Omega$ $\pm 30\%$ )
Resistance taper	A B C D W
Sliding noise	Less than 47 mV
Residual resistance	$\leq 20 \Omega$ (R>10K) $\leq 10 \Omega$ (R $\leq$ 10K)
Insulation resistance	More than 100 M $\Omega$ at AC 500 V
Rated power(W)	Linear (B) taper : 0.5 W Other taper : 0.25W
Max. Operating voltage	Linear (B) taper : 500 V Other taper : 250 V
Withstand voltage	1 Minute at DC 250 V

### Mechanical Characteristics

Total rotational angle	300 ° $\pm 10$ °
Rotational torque	30~200 gf.cm
Rotational stopper strength	5 Kgf.cm Min
Shaft push-pull strength	7 Kgf. Min.
Rotational life	15,000 Cycles