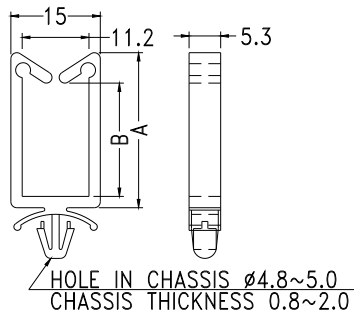
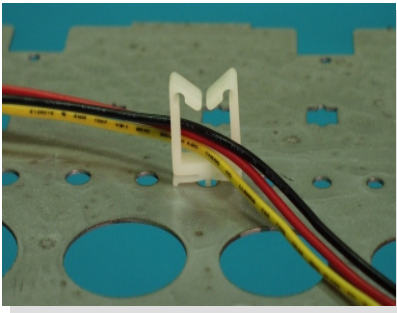




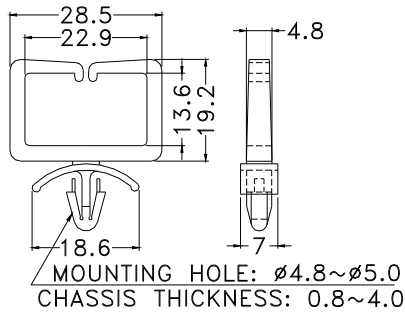
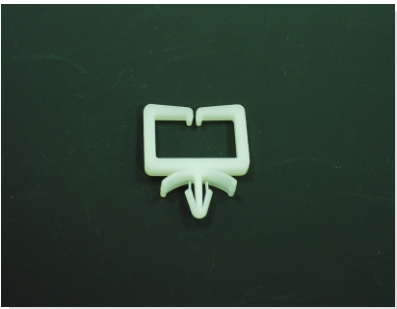
: □



PARTNO	A	B	PACKAGE
CHA-1	12.0	5.0	1000
CHA-2	17.0	10.0	500
CHA-3	26.0	19.0	
CHA-4	34.0	27.0	



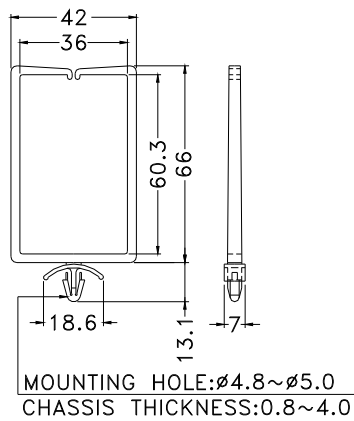
□ □



PART NO	PACKAGE
CHE-1	500



□ □



PART NO	PACKAGE
CHE-2	100