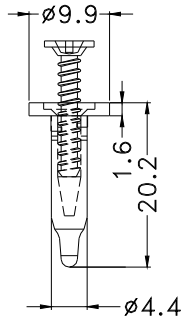


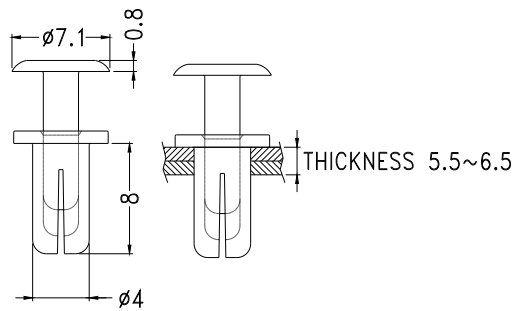
PARTNO	PACKAGE
PR-1	500

MOUNTING HOLE:  $\phi 8$



PARTNO	PACKAGE
PR-2	1000

HOLE IN THICKNESS: 8.3~10.0  
MOUNTING HOLE:  $\phi 4.5 \sim 4.7$



PARTNO	PACKAGE
SRF4-8	1000

MOUNTING HOLE:  $\phi 4$