

9000 SERIES - SUBMINIATURE MOMENTARY PUSHBUTTON SWITCHES

MISCELLANEOUS

SWITCH ACTION			TERMINAL OUTLINES		PANEL CUT-OUT
Function 2 (NC) Self-cleaning contacts	Function 3 (NO)	Function 3 (NO) butt action contacts	Solder lug	Straight p.c.	

OPTION DRAWINGS

CAPS Note: replace last '0' in p/n with color code. (order separately)

Below caps have deeper engagement and provide better retention			
U570 Standard For standard actuator	U3600 For standard actuator	U4310 For 4 actuator only	U4320 For 4 actuator only

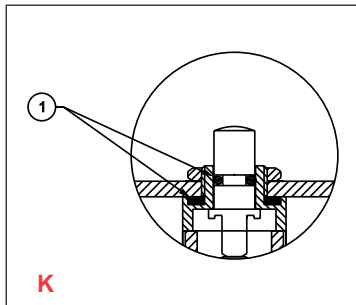
Colors

1	blue
2	black
3	green
4	grey
5	yellow
6	red
7/1	white
9	orange

SEALING OPTIONS

(NONE) Epoxy sealed terminals standard.

K Front panel sealing with 2 'O'-rings (1) provides protection against water and dust. Panel seal withstands 0.1bar pressure



K

HEX NUT Supplied with threaded bushing models

