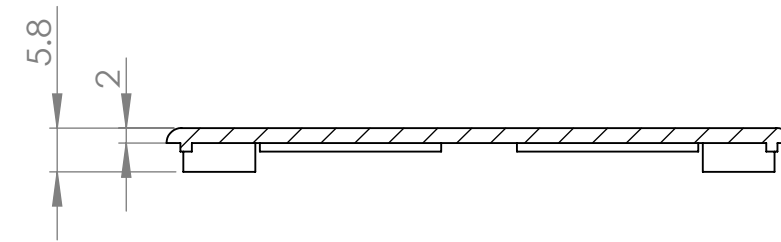
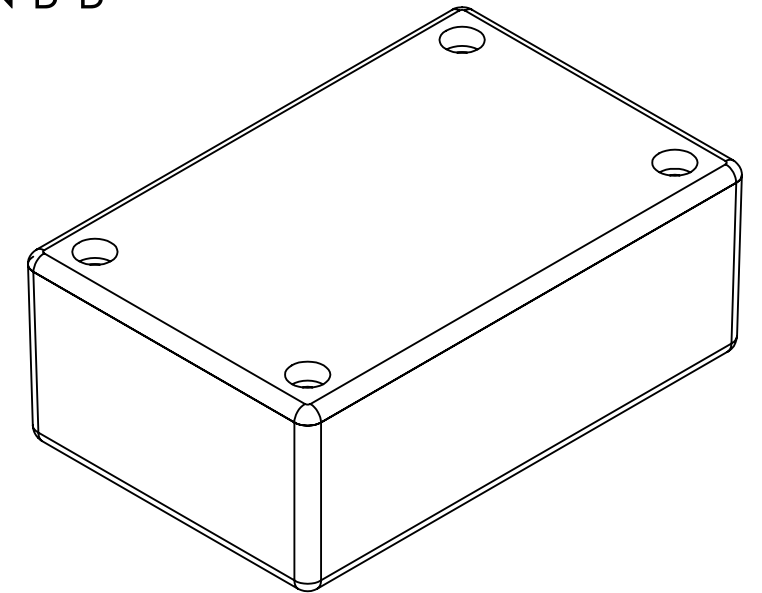
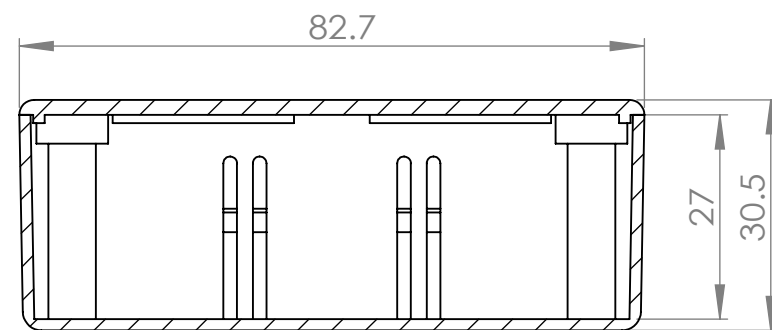


SECTION A-A



SSECTION B-B



TOLERANCES: +/- 0.25 mm

DRA'D BY

日期

DATE

材質

MATE.

圖名TITLE:

圖號DWG NO:

版次REVISID:

JACKY

2009/10/8

G1020B

C