



Designers' Choice

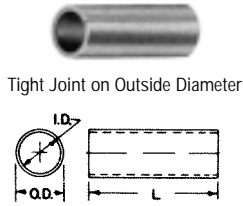
# SPACERS & STANDOFFS

## ALUMINUM ECONOMY SPACERS

• PRECISION FORMED • NO BURRS

Made of flat strip aluminum and rolled on precision equipment. Assures maximum bearing surface, square ends.

Aluminum: Per 5052-H34 per QQ-A-250/8b



Description and Tol.

SPACER FOR	I.D. ±.005	O.D. ±.007
#4	.125	.167
#6	.151	.193
#8	.178	.232

L Length	#4 Screw CAT. NO.	#6 Screw CAT. NO.	#8 Screw CAT. NO.
.187	397	—	—
.250	398	405	412
.312	399	406	413
.375	400	407	414
.437	401	408	415
.500	402	409	416
.625	403	410	417
.750	418	425	432
.875	419	426	433
1.000	420	427	434
1.250	421	428	435
1.500	422	429	436
1.750	—	430	437
2.000	—	—	438

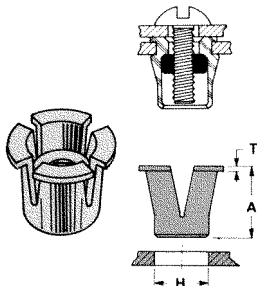
## BLIND CAPTIVE NUTS — PRESS FIT

MOUNT CHASSIS, PANELS, HEAT SINKS, SOCKETS

**MATERIAL:** Molded Nylon with Brass threaded insert.

- EASY ASSEMBLY
- DAMPENS VIBRATION
- ELIMINATES INSULATING WASHER
- HI-DIELECTRIC STRENGTH

A unique reusable fastener made of NYLON which contains a threaded brass nut. Finger pressure or light tap seals it in a pre-drilled hole. The nut is drawn up causing a Nylon bulge behind the workpiece. Screw may be removed or replaced.

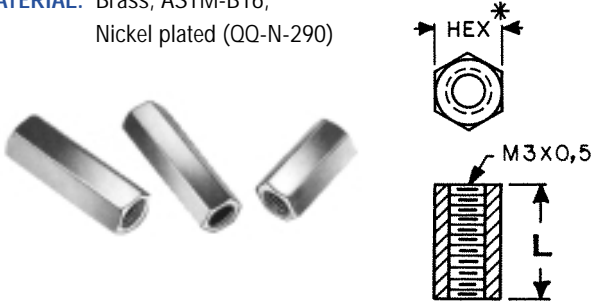


CAT. NO.	THREAD	"H" HOLE SIZE REQ/D.	IDEAL SHEET THICKNESS	A	T
4341	4-40	.250	.047	.312	.030
4342	6-32	.312	.078	.375	.030
4343	8-32	.406	.093	.500	.030

## METRIC HEX THREADED STANDOFFS

A comprehensive range of precision made metric hex spacers.

**MATERIAL:** Brass, ASTM-B16, Nickel plated (QQ-N-290)



5mm HEX*	
CAT. NO.	"L"
4390	5mm
4391	10mm
4392	15mm
4393	20mm
4394	25mm

5.5mm HEX*	
CAT. NO.	"L"
4395	5mm
4396	10mm
4397	15mm
4398	20mm
4399	25mm

## ROUND CLEAR SPACERS

BRASS OR ALUMINUM

**MATERIALS:**

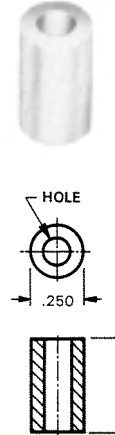
Brass: ASTM-B16, Nickel plate (QQ-N-290)

Aluminum: Iridite Finish (MIL-C-5541)

L LENGTH	HOLE	BRASS	ALUMINUM
		CAT. NO.	CAT. NO.
.125	.120	1909	2036
.250	.120	1454A	3457
.375	.120	1454B	3458
.500	.120	1454C	3459
.625	.120	1919	2314
.750	.120	1454D	3460
.875	.120	1920	3402
1.000	.120	1545E	3461
1.500	.120	1924	3462
2.000	.120	1925	3463
.125	.140	1934	3403
.250	.140	1457A	3464
.375	.140	1457B	3465
.500	.140	1457C	3466
.625	.140	1935	3429
.750	.140	1957D	3467
.875	.140	1936	3438
1.000	.140	1457E	3468
1.500	.140	1937	3469
2.000	.140	1938	3470
.125	.171	1942	4258
.250	.171	1480	3471
.375	.171	1481	3472
.500	.171	1482	3473
.625	.171	2032	4259
.750	.171	1483	3474
.875	.171	2033	4260
1.000	.171	1484	3475
1.500	.171	2034	3476
2.000	.171	2035	3477

CLEARANCE HOLE:

- .120 for #4 screw
- .140 for #6 screw
- .171 for #8 screw



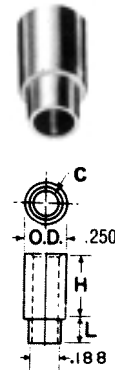
## ROUND SWAGE CLEAR SPACERS

**MATERIAL:** Brass, ASTM-B16, Nickel plate (QQ-N-290)

CLEARANCE HOLE:

- .120 for #4 screw
- .140 for #6 screw

CAT. NO.	H HEIGHT	FOR PANEL THICKNESS	C HOLE	L
5060-2	.250	1/16	.120	.109
5060-3	.250	3/32	.120	.141
5061-2	.375	1/16	.120	.109
5061-3	.375	3/32	.120	.141
5062-2	.500	1/16	.120	.109
5062-3	.500	3/32	.120	.141
5063-2	.250	1/16	.140	.109
5063-3	.250	3/32	.140	.141
5064-2	.375	1/16	.140	.109
5064-3	.375	3/32	.140	.141
5065-2	.500	1/16	.140	.109
5065-3	.500	3/32	.140	.141



## HEX STAINLESS THREADED STANDOFFS

**MATERIAL:** Stainless Steel per ASTM-A581/A582, Class 303

• Corrosion Resistant

L Length Inches	4-40 Thread CAT. NO.	6-32 Thread CAT. NO.	8-32 Thread CAT. NO.
1/4 (.250)	1921	1922	1923
3/8 (.375)	1921A	1922A	1923A
1/2 (.500)	1921B	1922B	1923B
3/4 (.750)	1921C	1922C	1923C
1 (1.000)	1921D	1922D	1923D
1 1/2 (1.500)	1921E	1922E	1923E
2 (2.000)	1921F	1922F	1923F

- 4-40 thread on 1/2" and over tapped 1/4" each end
- 6-32 & 8-32 thread on 1" and over tapped 3/8" each end

