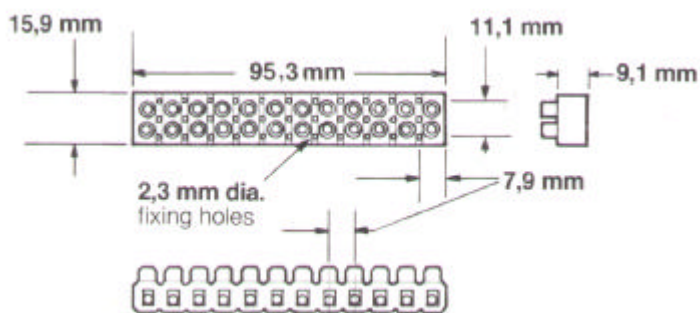


L1350/Ni FLEXIBLE TERMINAL BLOCK

- Two Row Screws
- 12 way

CURRENT RATING:	15A (temperature rise <20°C above ambient)
TEMPERATURE RANGE:	-55°C to +70°C (ambient)
BREAKDOWN VOLTAGE:	>7 KV (5 KV to chassis) Important Note: Insulated fixing screws must be used to mount this product.
INSULATION RESISTANCE:	≥1000 megaohms
CREEPAGE DISTANCE	
BETWEEN TERMINALS:	8.4mm
TERMINALS TO CHASSIS:	4.3mm
HUMIDITY:	Class H6 (DEF-5011)
WIRE SIZE (MAXIMUM):	1/1.78mm to 30/0.25mm
WEIGHT (AVERAGE):	30.5g
APPROVAL	DEF-5011

ORDERING REFERENCE: L1350/Ni



BLP reserve the right to change without prior notice the information contained within this leaflet

BLP Components Ltd., Exning Road, Newmarket, Suffolk, CB8 0AX, England
Tel: +44 (0)1638 665161 Fax: +44 (0)1638 660718 email: sales@blpcomp.com <http://www.blpcomp.com>