



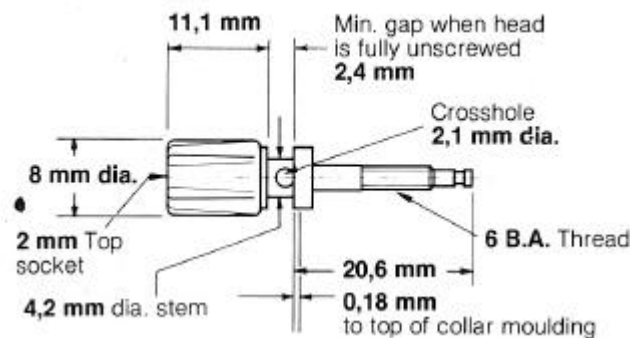
## L1726/1 MINIATURE TERMINAL



A miniature terminal designed as part of the Belling-Lee 2mm range. It has a 2mm resilient socket in the head. The clamping gap is free from threads and has a crosshole for wire insertion.

<b>CURRENT RATING:</b>	<b>10A</b>
<b>TEMPERATURE RANGE:</b>	<b>-55°C to +70°C (ambient)</b>
<b>MATERIALS:</b>	<b>Head, phenolic resin Stem, brass, nickel plated</b>
<b>COLOURS:</b>	<b>Black, red</b>

**ORDERING REFERENCE: L1726/1/COLOUR**



BLP reserve the right to change without prior notice the information contained within this leaflet

BLP Components Ltd., Exning Road, Newmarket, Suffolk, CB8 0AX, England  
Tel: +44 (0)1638 665161 Fax: +44 (0)1638 660718 email: sales@blpcomp.com <http://www.blpcomp.com>