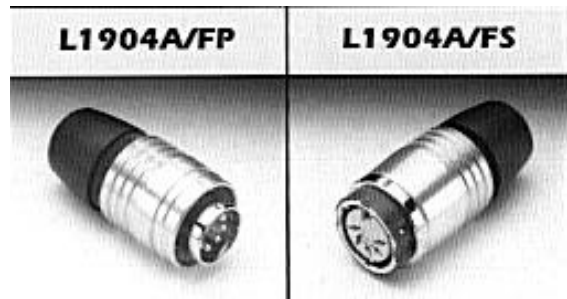


FREE PLUG AND FREE SOCKET
L1904A/FP AND L1904A/FS



MATERIALS

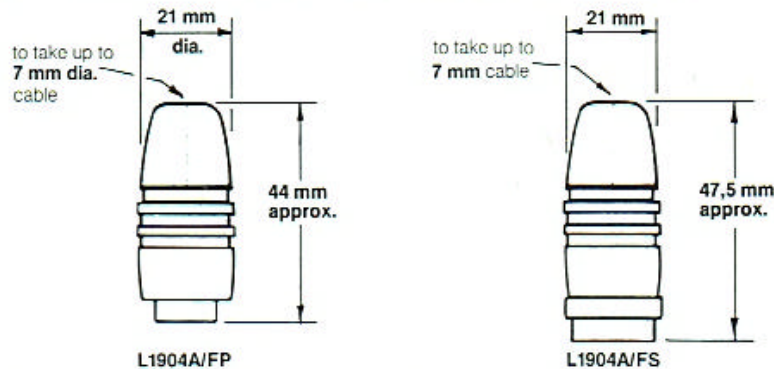
BODY:	Zinc alloy, nickel-plated
CLAMPING NUT:	Noryl
PLUG INSULATOR:	Polypropylene and glass filled nylon
RECEPTACLE INSULATOR:	Glass filled nylon
CONTACT MATERIAL:	Brass, silver-plated
CONTACT TERMINATION:	Solder buckets or crimp* (plug only) For crimp version see page

*FP Plugs may be crimped using Erma Buchanan Tool No. 612118 with locator No. 600253
 KFP Plugs require separate contacts I2194 suitable for automatic crimping

ORDERING REFERENCE:
FREE PLUG: L1904A*/FP OR KFP
FREE SOCKET : L1904A*/FS

*number of poles

EXAMPLE: L1904A/5/FP is a Bleecon free plug with 5 poles, 40 spacing.
 L1904A/8/FS is a Bleecon free socket with 8 poles.



Dialight BLP reserve the right to change without prior notice the information contained within this leaflet