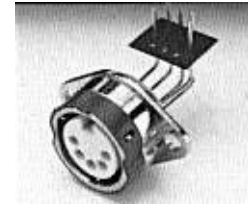




# L1904C/PCR DIN STYLE CONNECTOR



Right angled card edge socket, designed for applications where connectors are required to be directly flow soldered to printed circuit boards. It can be fitted to a plug-in card where the card width has to be kept to a minimum. Normally the socket is fitted mechanically to a metal card edge bracket or chassis which forms part of the card assembly.

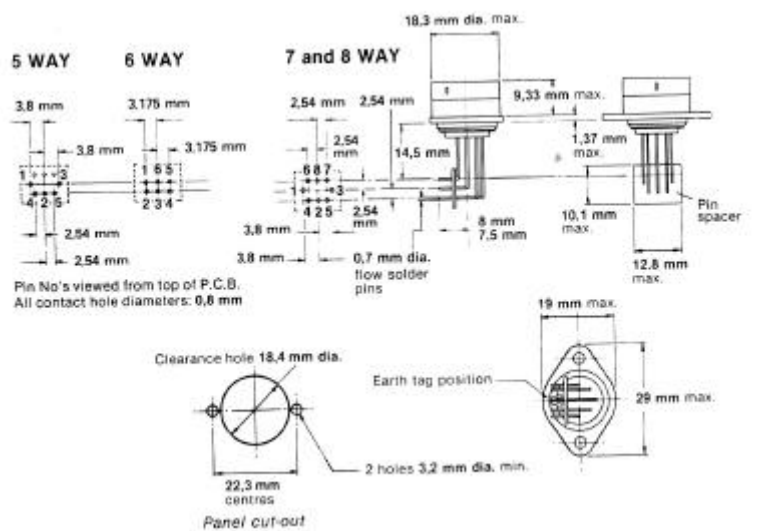
## MATERIALS

- CONTACTS:** Brass, silver plated
- CONTACT TERMINATION:** Dip solder, brass, silver plated
- FLAMMABILITY RATING:** UL 94 V1

**ORDERING REFERENCE:**  
DIRECT PCB MOUNTING L1904C\*/PCR

\*number of poles

Note: Only available in 5, 6, 7 and 8 way configuration



BLP reserve the right to change without prior notice the information contained within this leaflet

**BLP Components Ltd., Exning Road, Newmarket, Suffolk, CB8 0AX, England**  
Tel: +44 (0)1638 665161 Fax: +44 (0)1638 660718 email: sales@blpcomp.com <http://www.blpcomp.com>