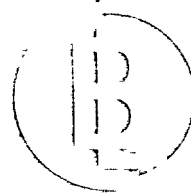


313 - 865



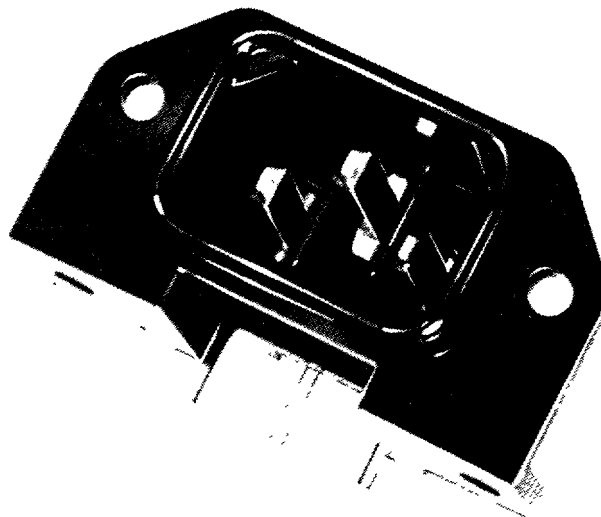
## L2157

### Right angled PCB mounted inlet

This PCB mounting 3-pole power inlet complies with the requirements of IEC 320 (1981) and offers a cost effective means of assembly and soldering.

The fixing centres are arranged in multiples of 0,1in pitch to facilitate NC drilling of the PCB board.

This power inlet mates with Belling-Lee power connectors L1920, L1921, L1947 and L1949A.



<b>Current rating:</b>	_____	6A
<b>Operating voltage:</b>	_____	250 V, AC
<b>Maximum pin temperature:</b>	_____	+ 65°C
<b>Temperature:</b>	_____	- 40°C to + 65°C (ambient)
<b>Insulation resistance</b>		
<b>Between poles:</b>	_____	≥2 megohms
<b>Elsewhere:</b>	_____	≥5 megohms
<b>Materials</b>		
<b>Contacts:</b>	_____	Silver plated brass
<b>Body:</b>	_____	UL94 V1 Flame retardant nylon
<b>Terminations:</b>	_____	Tin plated brass 1,3mm × 0,8mm × 3,6mm long
<b>Colour:</b>	_____	Black
<b>Ordering reference:</b>	_____	<b>L2157</b>

