

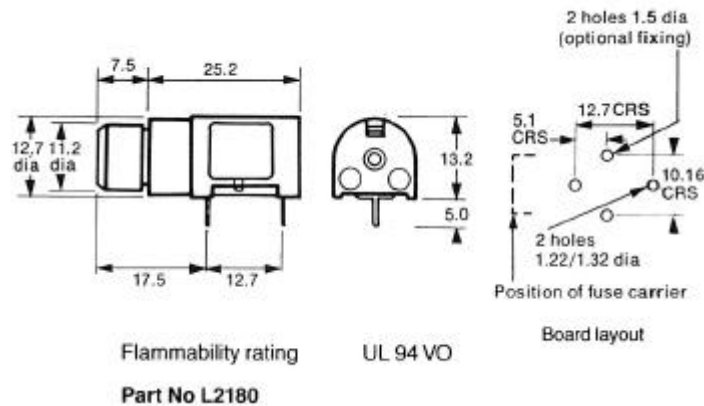
L2180 FUSEHOLDER



- Designed for mounting directly onto PCBs.
- Accepts 20 x 5mm fuselinks

| | |
|-------------------------------|---|
| CURRENT RATING: | 6.3A |
| BREAKDOWN VOLTAGE: | >4kV (sea level) |
| TEMPERATURE RANGE: | -55°C to +70°C (ambient) |
| INSERTION RESISTANCE: | 10 milliohms (maximum) |
| INSULATION RESISTANCE: | >100 megohms |
| FLAMMABILITY RATING: | UL 94 VO |
| MATERIALS: | Moulding, thermoplastic glass filled polyester, Contacts, brass, silver-plated |
| APPROVALS: | UL, CSA |

ORDERING REFERENCE: L2180



Dialight BLP reserve the right to change without prior notice the information contained within this leaflet

Dialight BLP Ltd., Exning Road, Newmarket, Suffolk, CB8 0AX, England
Tel: +44 (0)1638 665161 Fax: +44 (0)1638 660718 email: sales@blpcomp.com <http://www.blpcomp.com>