

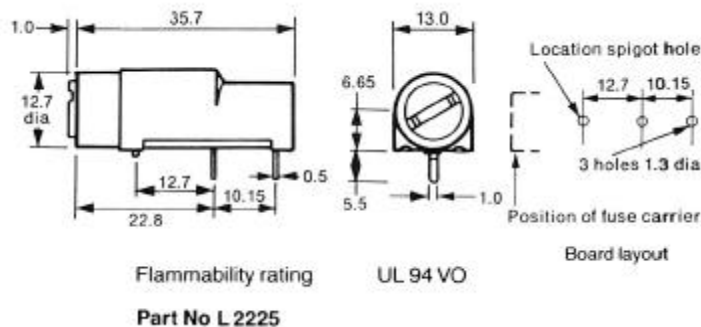
L2225 FUSEHOLDER



- Designed for mounting directly onto PCBs.
- Accepts 20 x 5mm fuselinks

CURRENT RATING:	6.3A
BREAKDOWN VOLTAGE:	>4kV (sea level)
TEMPERATURE RANGE:	-55°C to +70°C (ambient)
INSERTION RESISTANCE:	10 milliohms (maximum)
INSULATION RESISTANCE:	>100 megohms
FLAMMABILITY RATING:	UL 94 VO
MATERIALS:	Moulding, thermoplastic glass filled polyester, Contacts, brass, silver-plated
APPROVALS:	UL, CSA, VDE

ORDERING REFERENCE: L2225



Dialight BLP reserve the right to change without prior notice the information contained within this leaflet

Dialight BLP Ltd., Exning Road, Newmarket, Suffolk, CB8 0AX, England
Tel: +44 (0)1638 665161 Fax: +44 (0)1638 660718 email: sales@blpcomp.com <http://www.blpcomp.com>