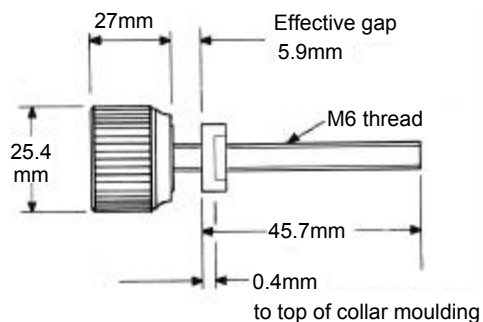


L309/1 TERMINAL

A heavy current terminal with a non-rotating head for lettering. The rotating collar is captive and the clamping gap is free from threads

CURRENT RATING:	30A
TEMPERATURE RANGE:	-25°C to +85°C
MATERIALS:	Head, phenolic resin Disc, tenite butyrate Stem, brass, nickel-plated
COLOURS:	Head, black Disc, red or black
WEIGHT (average):	25.5g

ORDERING REFERENCE: L309/1/COLOUR

Dialight BLP reserves the right to change without prior notice the information contained within this datasheet

Dialight BLP Ltd., Exning Road, Newmarket, Suffolk, CB8 0AX, England
Tel: +44 (0)1638 665161 Fax: +44 (0)1638 660718 email: sales@blpcomp.com <http://www.blpcomp.com>

A subsidiary of Dialight plc