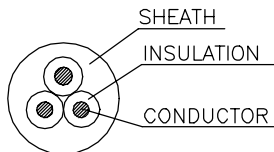


1. PVC MOLDED PLUG: PHP-304 (BLACK)
  2. PVC FLEXIBLE CORD: GTSA-3 3G0.75MM<sup>2</sup> (BLACK)
  3. ELLIPTIC TIE (BLACK)
  4. TERMINAL: STS 630-BS-0 OR JH J630-BS-0
- NOTE: ALL MATERIALS ARE RoHS COMPLIANCE.

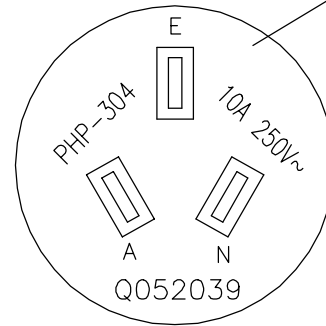
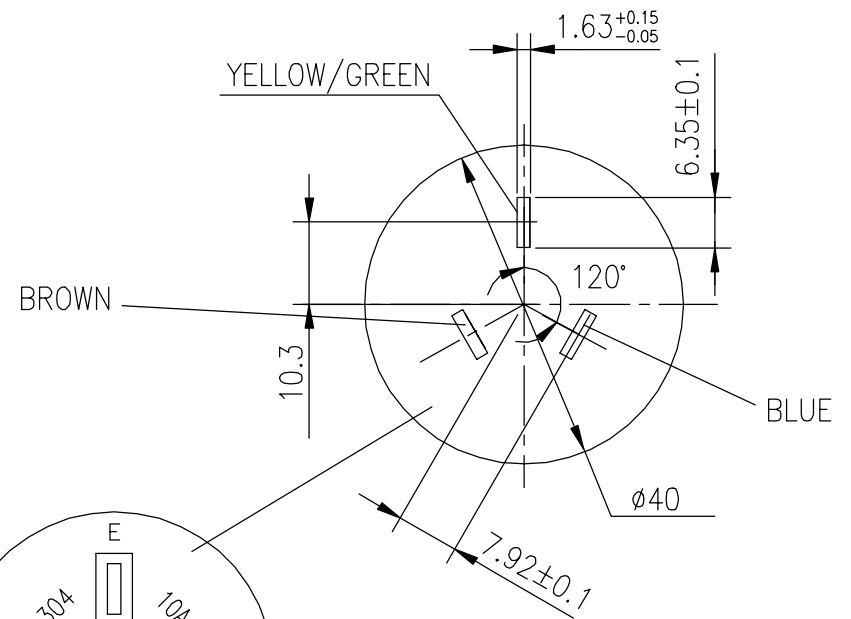
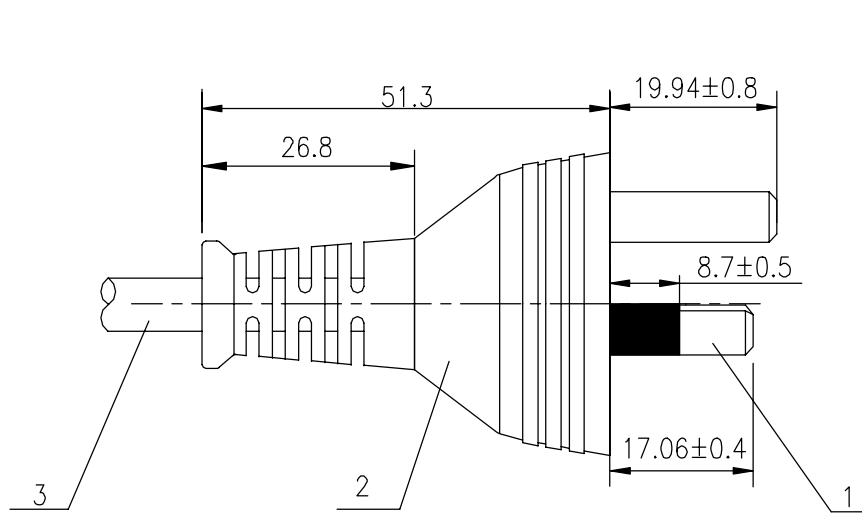
CORD SECTION:



CORD MARKING:

H05VV-F 3G0.75mm<sup>2</sup> KTL SU01009-5001 60227 IEC 53 300/500V PHINO GTSA-3  
 4V-75 V-75(75°C) 250/440V ORDINARY DUTY N18895 201X CE Cn -LF-  
 YEAR (eg:2013,2014...) ROLL NO.: 1,2,3... CHINA FACTORY

P/NO	P0W019	TITLE	POWER SUPPLY CORD PHP-304		
		INTERNAL NO:	P304-XXXX-1		
DESIGNED	Wu Haitao 2014.09.12	UNIT	MM	SCALE	FREE
CHECKED		MATERIAL			
APPROVED		PROJECTION			



1. PIN(NICKEL PLATING)
2. PVC MOLDED PLUG:PHP-304
3. FLEXIBLE CORD

TOLERANCE:  
 >20:±2.0  
 ≤20:±1.0  
 ≤10:±0.5  
 ≤1.0:±0.3

		TITLE	PHP-304		
		DRAWING NO.			
DESIGNED	He Dafeng	UNIT	MM	SCALE	1:1
CHECKED		MATERIAL			
APPROVED		PROJECTION			

# 信昇五金塑膠製品廠

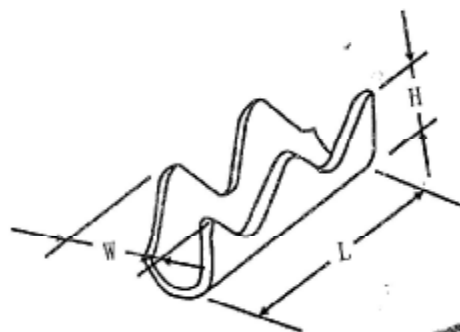
廣東省東莞市長安鎮廈邊管理區大板地二路

TEL: 0769-5544827 FAX: 0769-5546160

5413917-9

5413411

文件名稱	產品規格書	頁次	1/1
文件編號	STS(QW)-30	版次	A0 版
		發行日期	2002/10/01



產品編號	630-BS	包裝數量	25000 PCS
材質	BRASS		
適用線材	18-22 AWG#	配合公端	寬
UL NO	~		厚
各部位尺寸及公差 (單位: mm)			
T	0.3 ± 0.02	H	2.6 ± 0.2
W	2.8 ± 0.2	L	6.1 ± 0.2

核準:



審核:



作成: 王樹剛