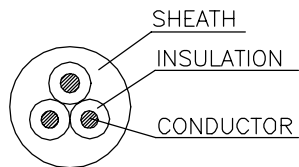


1. PVC MOLDED PLUG: PHP-304 (BLACK)
2. PVC FLEXIBLE CORD: GTSA-3 3G1.0MM² (BLACK)
3. ELLIPTIC TIE (BLACK)

NOTE: ALL MATERIALS ARE RoHS COMPLIANCE

CORD SECTION:

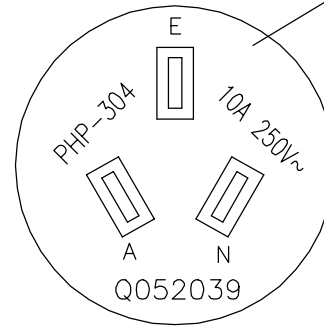
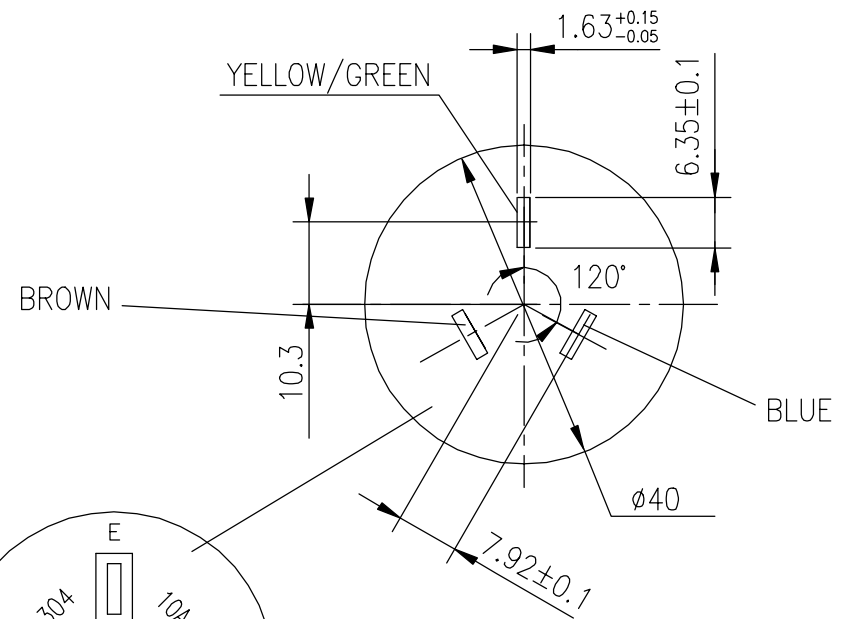
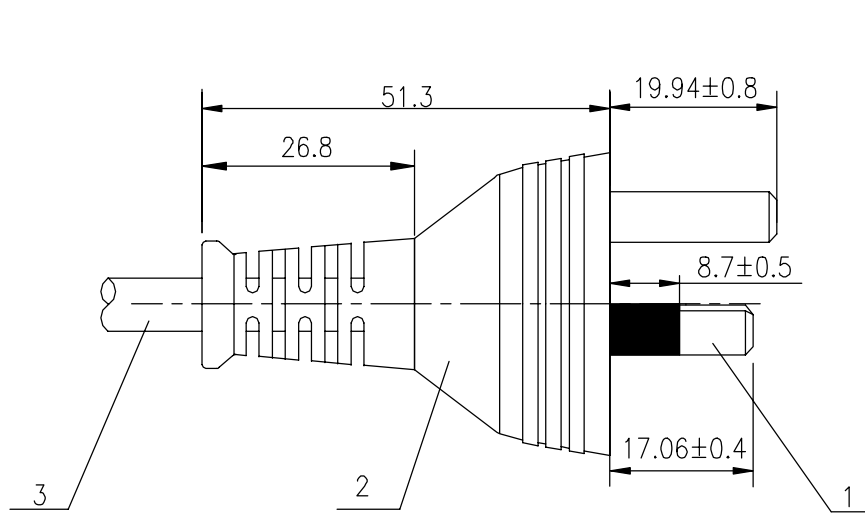


CORD MARKING:

H05V-F 3G1.0mm² KTL SU01009-5001 60227 IEC 53 300/500V
 GTSA-3 4V-75 V-75(75°C) 250/440V ORDINARY DUTY N18895

20XX CE Cn -LF-
 ROLL NO: 1,2,3...
 CHINA FACTORY
 YEAR(eg,2013,2014...)

P/NO	POW020	TITLE	POWER SUPPLY CORD PHP-304		
		INTERNAL NO.	P304-XXXX-1		
DESIGNED	Wu Haitao 2014.09.12	UNIT	MM	SCALE	FREE
CHECKED		MATERIAL			
APPROVED		PROJECTION			



1. PIN(NICKEL PLATING)
2. PVC MOLDED PLUG:PHP-304
3. FLEXIBLE CORD

TOLERANCE:
 >20:±2.0
 ≤20:±1.0
 ≤10:±0.5
 ≤1.0:±0.3

		TITLE	PHP-304		
		DRAWING NO.			
DESIGNED	He Dafeng	UNIT	MM	SCALE	1:1
CHECKED		MATERIAL			
APPROVED		PROJECTION			