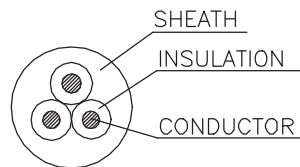


1. PVC MOLDED PLUG: PHP-304 (GREY YJ519)
2. PVC FLEXIBLE CORD: GTSA-3 3G0.75MM<sup>2</sup> (GREY YJ519)
3. ELLIPTIC TIE (WHITE)

NOTE: ALL MATERIALS ARE RoHS COMPLIANCE

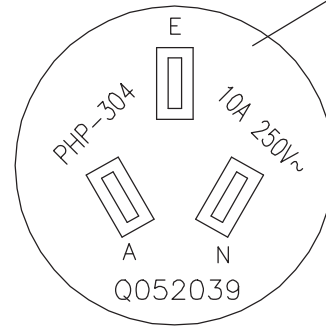
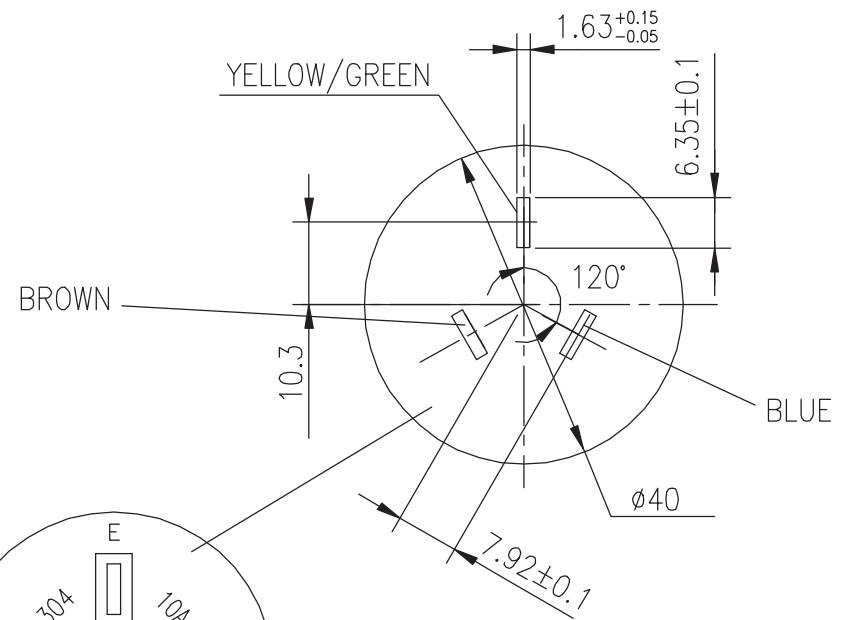
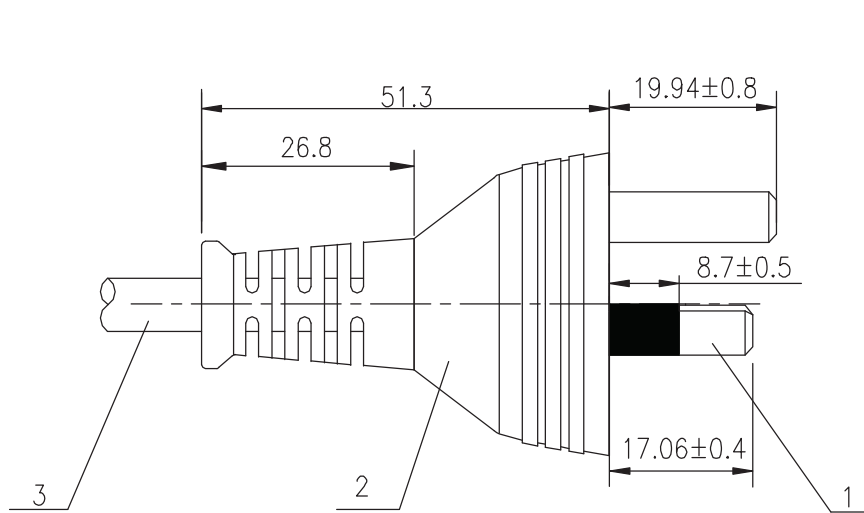
CORD SECTION:



CORD MARKING:

H05W-F 3G0.75mm<sup>2</sup> ■ KTL SU01009-5001 60227 IEC 53 300/500V PHINO GTSA-3  
 4V-75 V-75(75°C) 250/440V ORDINARY DUTY N18895 201X CE Cn -LF-  
 YEAR (eg:2013,2014...) ROLL NO.: 1,2,3... CHINA FACTORY

P/NO	POW021-GREY	TITLE	POWER SUPPLY CORD PHP-304		
		INTERNAL NO.	P304-XXXX-1		
DESIGNED	Wu Haitao 2014.09.12	UNIT	MM	SCALE	FREE
CHECKED		MATERIAL			
APPROVED		PROJECTION			



1. PIN(NICKEL PLATING)
2. PVC MOLDED PLUG:PHP-304
3. FLEXIBLE CORD

TOLERANCE:  
 >20:±2.0  
 ≤20:±1.0  
 ≤10:±0.5  
 ≤1.0:±0.3

		TITLE	PHP-304		
		DRAWING NO.			
DESIGNED	He Dafeng	UNIT	MM	SCALE	1:1
CHECKED		MATERIAL			
APPROVED		PROJECTION			