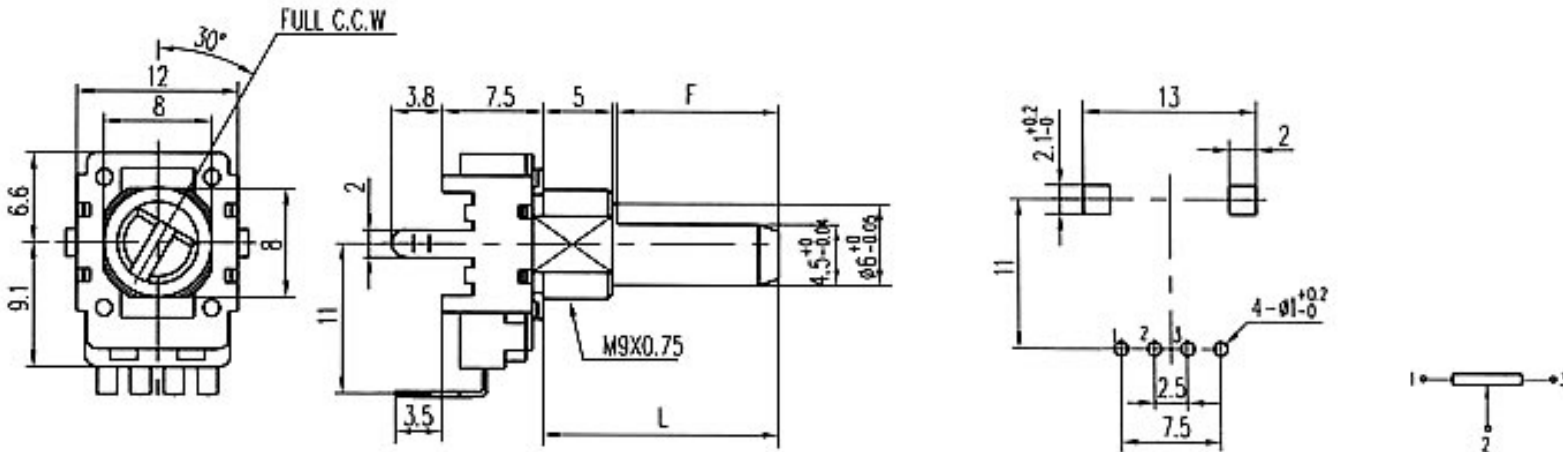




Model :

WH111A-1-F



阻值允许误差 Tolerance of resistance	± 20%	绝缘电阻 Insulation resistance	DC250V	100MΩ min
额定功率 power Rating	0.05W	耐电压 Withstanding Voltage	AC300V	1 minute
额定电压 Rated voltage	50V AC/ DC 20V	总机械旋转角度 Total rotational Angle	300 ± 5°	
转动噪声 Rotational noise	≤ 47mv	动作力 Operating force	20~200gf.cm	
双联同步误差 Tracking error	0~40db ± 3db	轴回转止挡强度 Shaft stop strength	4Kgf.cm min	
		机械耐久性 Mechanical endurance	10000周min turns	