

CERAMIC RESONATOR

ZTA/ZTT Series

Application

- Best choice for Remote control
- PC & Peripherals
- Cordless & Mobile Phone
- Mouse and UPS

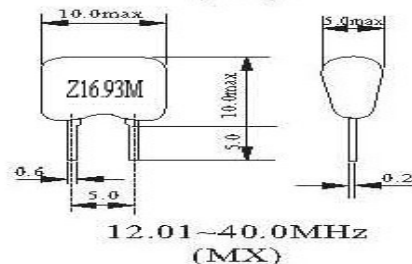
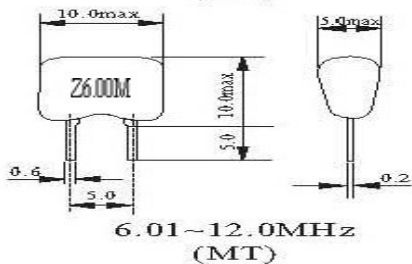
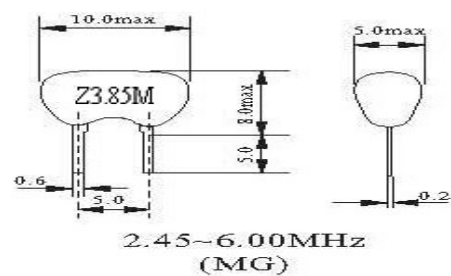
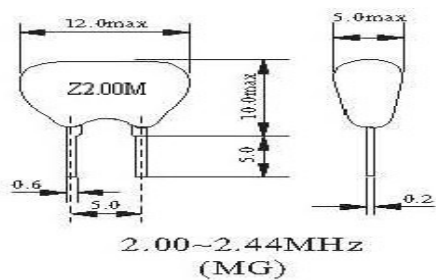


Specifications

MODEL	FREQUENCY RANGE	FREQUENCY ACCURACY(+20°C)	FREQUENCY STABILITY OVER TEMPERATURE	OPERATING TEMPERATURE	AGING (10 YEARS)
ZTA □□□ MG	2.00 ~ 6.00 MHz	± 0.3%	± 0.3%	-20°C ~ 80°C	± 0.3%
ZTA □□□ MT	6.01 ~ 12.0 MHz	± 0.3%	± 0.5%	-20°C ~ 80°C	± 0.5%
ZTA □□□ MX	12.01 ~ 40.0 MHz	± 0.3%	± 0.3%	-20°C ~ 80°C	± 0.3%
ZTT □□□ MG	2.00 ~ 6.00 MHz	± 0.3%	± 0.3%	-20°C ~ 80°C	± 0.3%
ZTT □□□ MT	6.01 ~ 12.0 MHz	± 0.3%	± 0.5%	-20°C ~ 80°C	± 0.5%
ZTT □□□ MX	12.01 ~ 40.0 MHz	± 0.3%	± 0.3%	-20°C ~ 80°C	± 0.3%

Dimensions (mm)

ZTA Series



NETECH

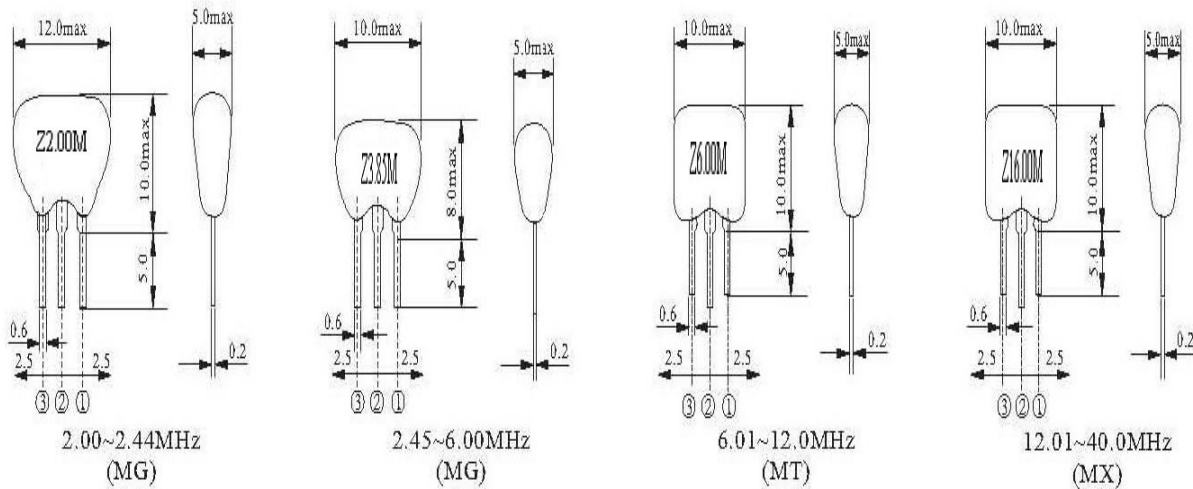
MSC

CERAMIC RESONATOR

ZTA/ZTT Series

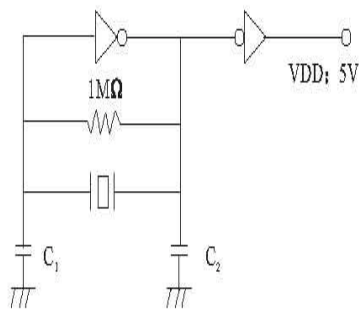
Dimensions (mm)

ZTT Series



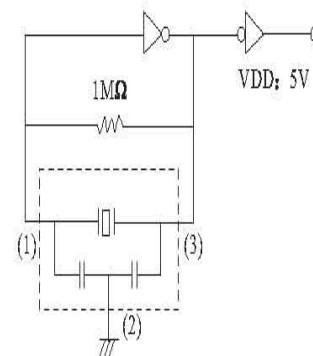
Test Circuit (mm)

1/6CD4069UBEX2 ZTA Series



ZTA□□MG	2.00 - 6.00	$C_1, C_2 30\text{pF}$
ZTA□□MT	6.01 - 12.00	$C_1, C_2 30\text{pF}$
ZTA□□MX	12.01 - 19.99	$C_1, C_2 30\text{pF}$
ZTA□□MX	20.00 - 25.99	$C_1, C_2 15\text{pF}$
ZTA□□MX	26.00 - 40.00	$C_1, C_2 5\text{pF}$

1/6CD4069UBEX2 ZTT Series



Remark: IC used by resonators ZTA□□MX and ZTT□□MX series is TC4069.