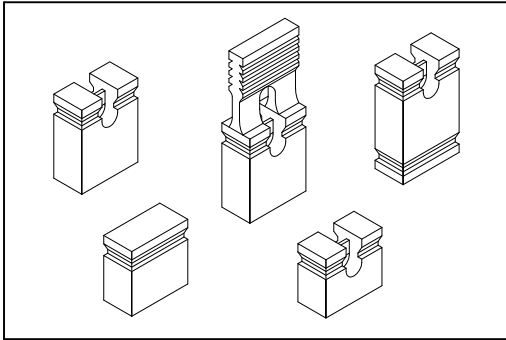


# 2006 , 2106 & 2206 Series

## Mini Jumper 2.54mm(0.100") , 2.0mm(0.079") & 1.27mm(0.050")



### Material:

Housing: Thermoplastic Polyester UL94V-0.

Contacts: Copper Alloy.

### Electrical Characteristics:

Current Rating: 1 A.

Insulator Resistance: 1000MΩ min.

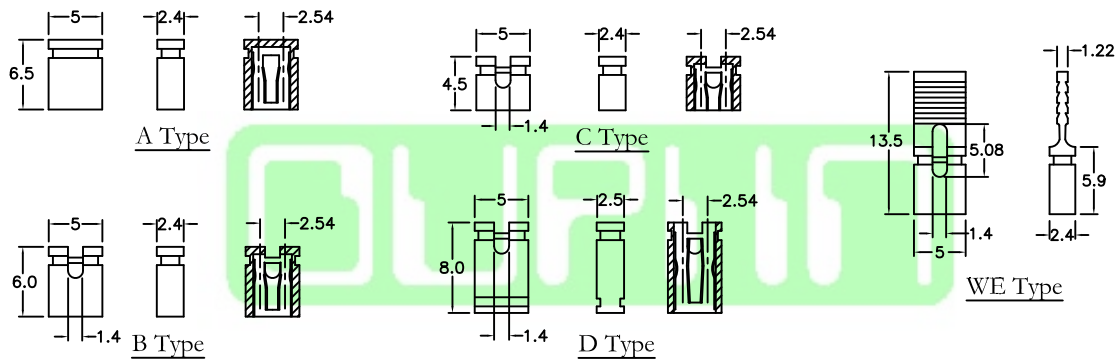
Contact Resistance: 20mΩ max.

Operating Temperature: -55°C~+85°C.

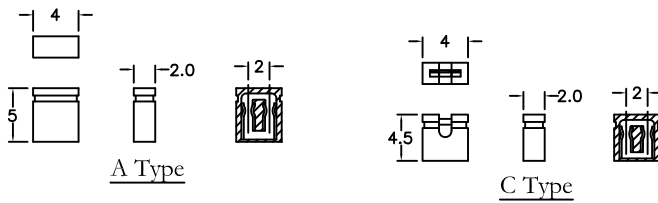
### Features:

- \* Available in open and close type.
- \* Various color available.
- \* 2006 has five different design options.
- \* 2106 has four different design options.
- 2006 Mates with: 2011,2012,2015.
- 2106 Mates with: 2111,2112,2113,2114,2115.

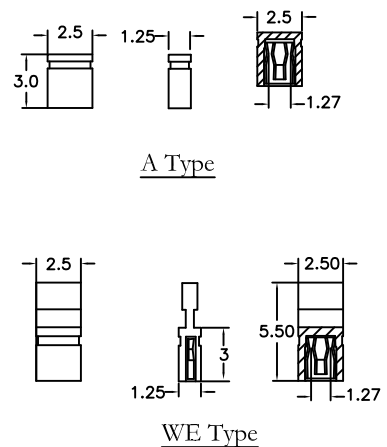
2006-Series 2.54mm(0.100")



2106-Series 2.0mm(0.079")



2206-Series 1.27mm(0.050")



## Ordering information

Series	A	B	B
2006-	Design Options	B: Black Insulator	B: Bulk Package
2006	*A,B,C,D,WE	*R: Red Insulator	
2106	**A,B,C,WE	*U: Blue Insulator	
2206	***A,WE		

\*\*\*Only apply to 2206

\*\*Only apply to 2106.

\*Only apply to 2006 additional colors available and maybe subject to minimum quantity.