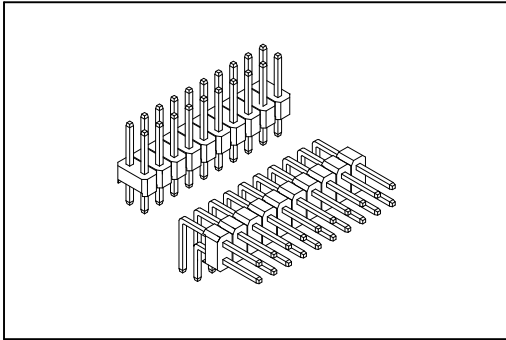


# 2011 Series

Pin Header 2.54mmX2.54mm(0.100"X0.100")



### Material:

Housing: Thermoplastic Polyester Glass Filled UL94V-0.

Contacts: Copper Alloy.

### Electrical Characteristics:

Current Rating: 2 A.

Dielectric Withstanding Voltage: AC 1000V.

Insulator Resistance: 1000MΩ min.

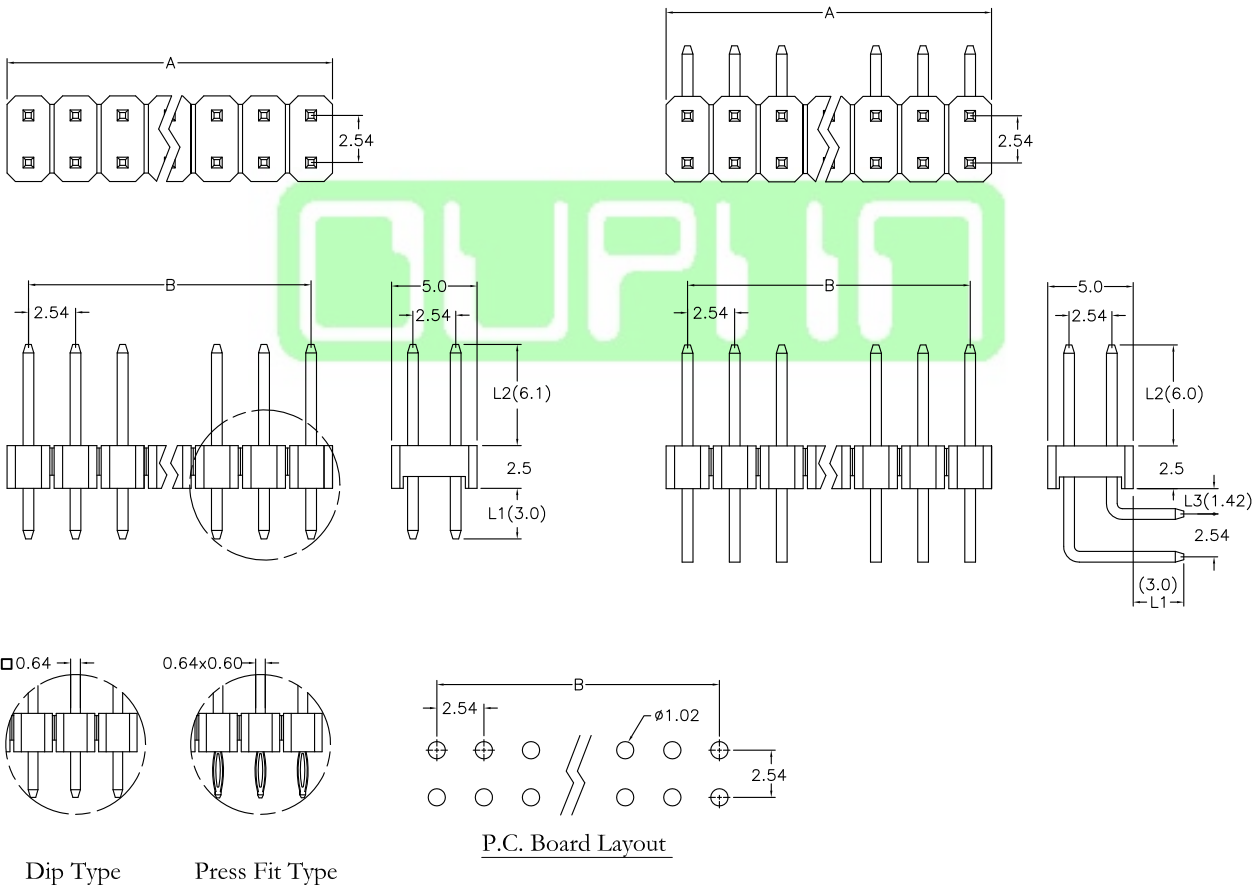
Contact Resistance: 20mΩ max.

Operating Temperature: -40°C~+105°C.

### Features:

- \* Available in Straight , Right Angle and Press Fit
- \* Side-to-side and end-to-end stackable.
- \* Custom design offered.
- \* Additional plating options available.

Mates with: 1001,2006,2041,2042,2043,2044,2045  
2046,2047,2048,2049.



Dip Type

Press Fit Type

Position	4 Thru 80
Dimension	
A	2.54 X No. of Positions /2-0.25
B	2.54 X No. of Positions /2-2.54

## Ordering information

**2011-** Series   
 **2** Double Row   
 **X** No. of Pin Per Row   
 **40**   
 **G** G: Gold Plated   
 **00** 00: G/F   
 **S** S: Straight R: Right Angle   
 **P** Blank: Dip Type P: Press Fit Type   
 **B** B: Bulk Package

Custom Design: Straight (i.e. 2011-2 X 40 G00S-L1-L2); Right Angle (i.e. 2011-2 X 40 G00R-L1-L2-L3).  
L1: Dip Length; L2: Mating Length; L3: Extended Length (currently only 1.42mm available).

\* Consult factory for Right Angle press fit drawing.

Information including designs, specifications and components may be changed or updated without notice.