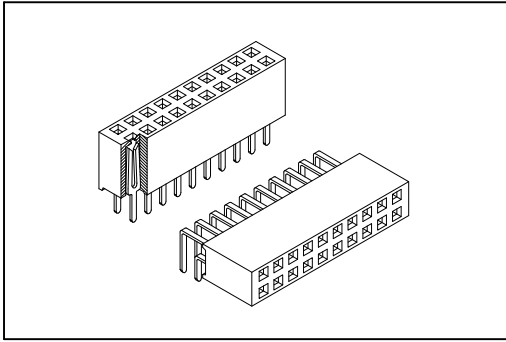


# 2044 Series

P.C.B. Socket 2.54mmX2.54mm(0.100"X0.100")



## Material:

Housing: Thermoplastic Polyester Glass Filled UL94V-0.

Contacts: Copper Alloy.

## Electrical Characteristics:

Current Rating: 2 A.

Dielectric Withstanding Voltage: AC 1000V.

Insulator Resistance: 1000MΩ min.

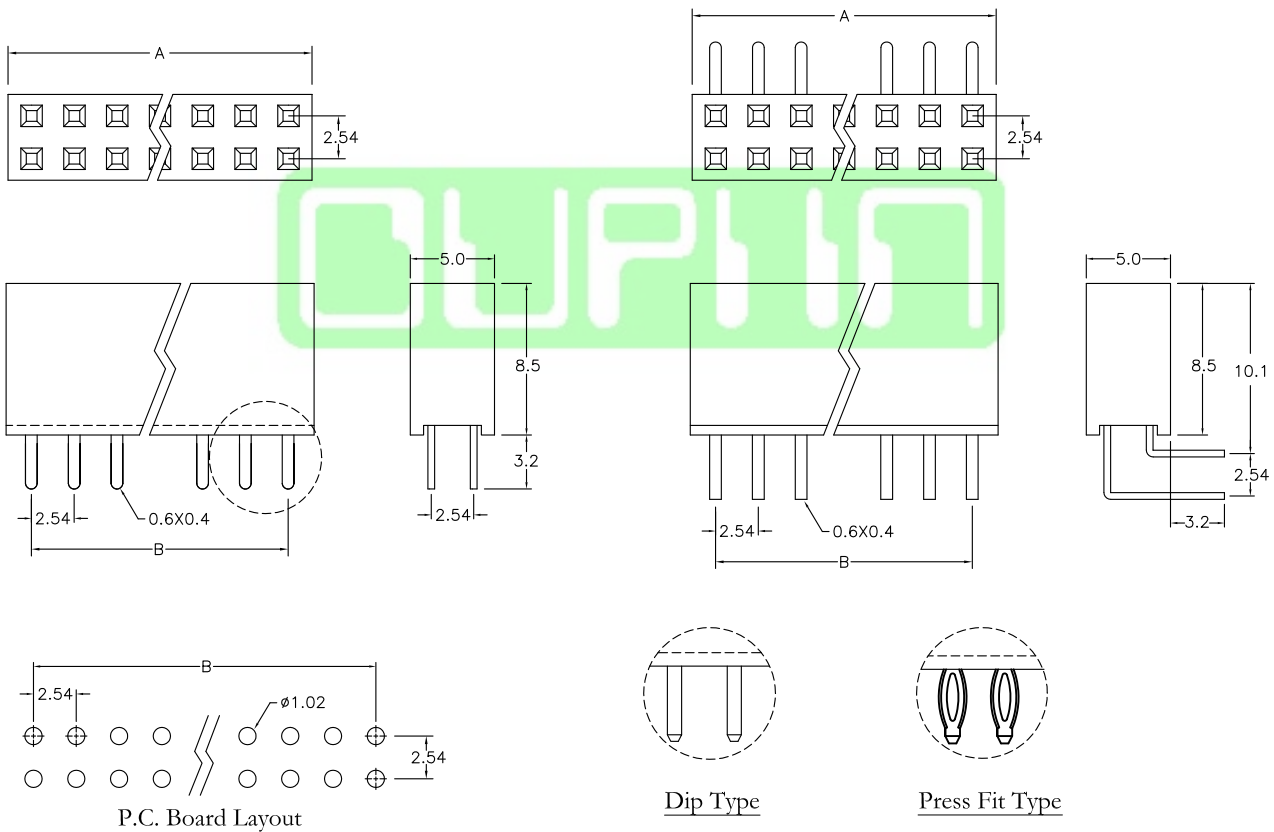
Contact Resistance: 20mΩ max.

Operating Temperature: -55°C~+105°C.

## Features:

- \* Available in Straight ,Right Angle & Press Fit.
- \* High profile 8.50mm (0.335").
- \* Mates with 0.64mm (0.025") square pin.
- \* Tuning fork contacts offer lower cost for competitive market.
- \* Additional plating options available.

Mates with: 2011,2012,2015.



Position	4 Thru 80
Dimension	
A	2.54 X No. of Positions /2+0.4
B	2.54 X No. of Positions /2-2.54

## Ordering information

**2044-** 2 X 40 G 00 S P A  
 Series Double Row No.of Pin Per Row G: Gold Plated 00: G/F S: Straight Blank: Dip Type A: Tray Package  
 R: Right Angle P: Press Fit Type B: Bulk Package